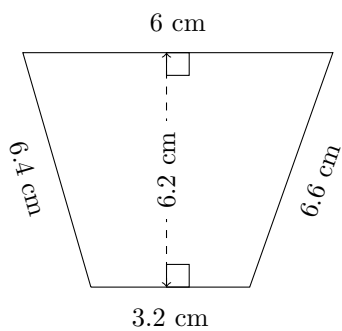


Area and Perimeter of Trapeziums (A)

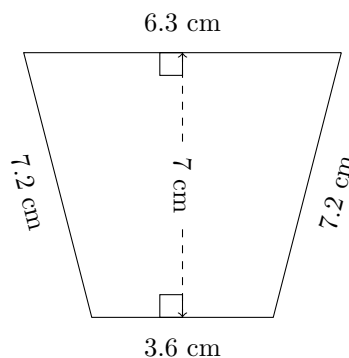
Calculate the perimeter and area for each trapezium.

1.



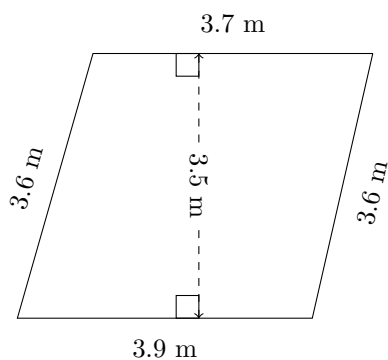
P = ?
A = ?

2.



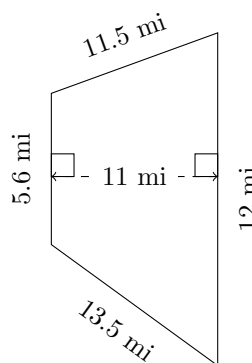
P = ?
A = ?

3.



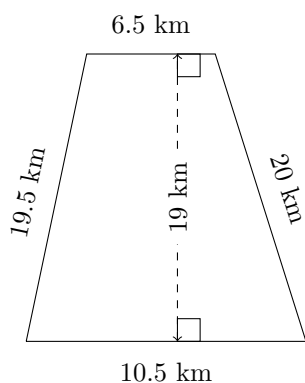
P = ?
A = ?

4.



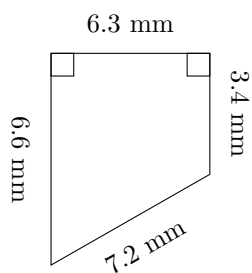
P = ?
A = ?

5.



P = ?
A = ?

6.

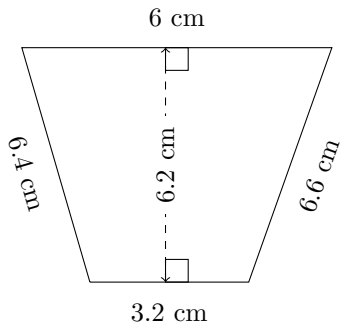


P = ?
A = ?

Area and Perimeter of Trapeziums (A) Answers

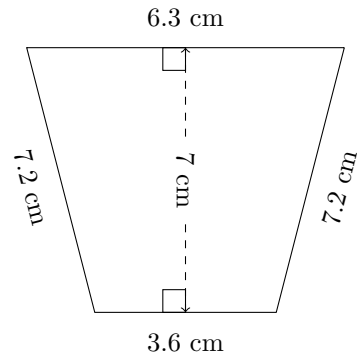
Calculate the perimeter and area for each trapezium.

1.



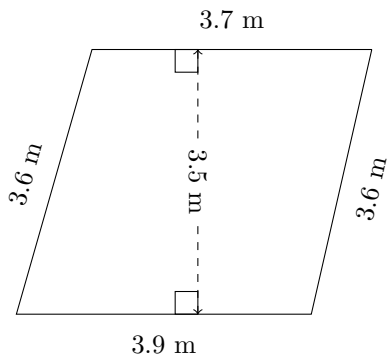
$P = 22.2 \text{ cm}$
 $A = 28.52 \text{ cm}^2$

2.



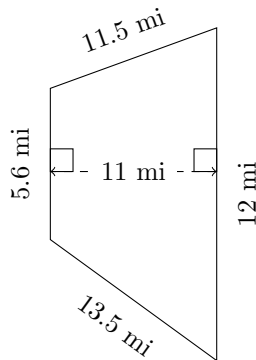
$P = 24.3 \text{ cm}$
 $A = 34.65 \text{ cm}^2$

3.



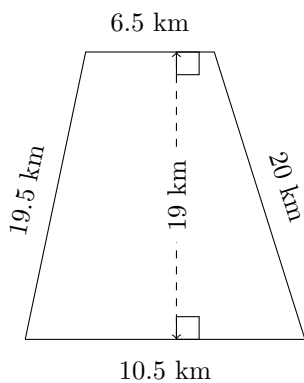
$P = 14.8 \text{ m}$
 $A = 13.3 \text{ m}^2$

4.



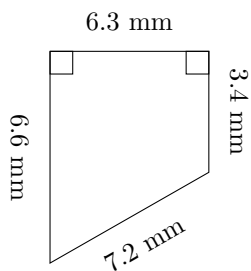
$P = 42.6 \text{ mi}$
 $A = 96.8 \text{ mi}^2$

5.



$P = 56.5 \text{ km}$
 $A = 161.5 \text{ km}^2$

6.



$P = 23.5 \text{ mm}$
 $A = 31.5 \text{ mm}^2$