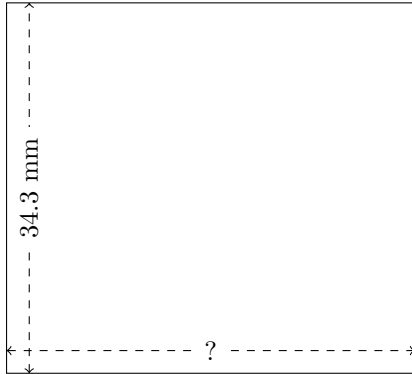


Rectangle Measurements (B)

Calculate the missing measurements for each rectangle.

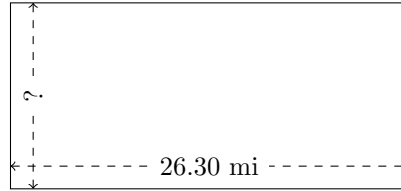
1.



$$P = ?$$

$$A = 1296.54 \text{ mm}^2$$

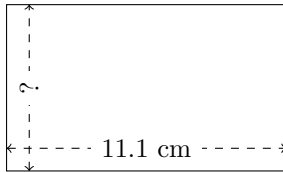
2.



$$P = ?$$

$$A = 323.49 \text{ mi}^2$$

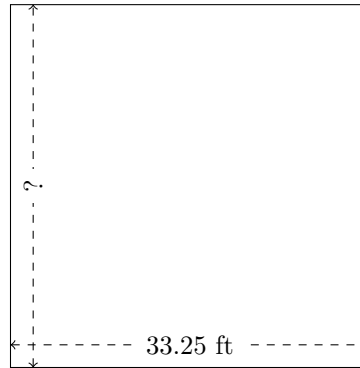
3.



$$P = ?$$

$$A = 73.26 \text{ cm}^2$$

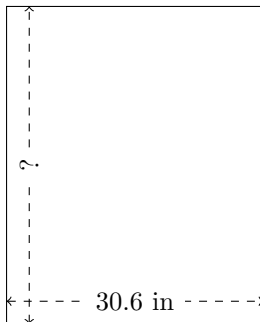
4.



$$P = ?$$

$$A = 1117.2 \text{ ft}^2$$

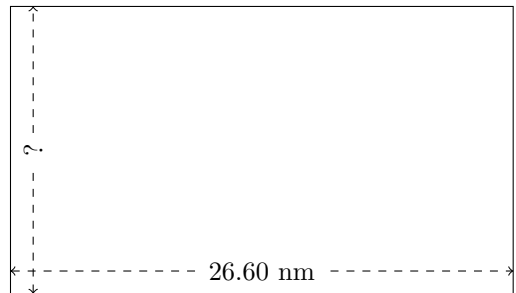
5.



$$P = ?$$

$$A = 1156.68 \text{ in}^2$$

6.



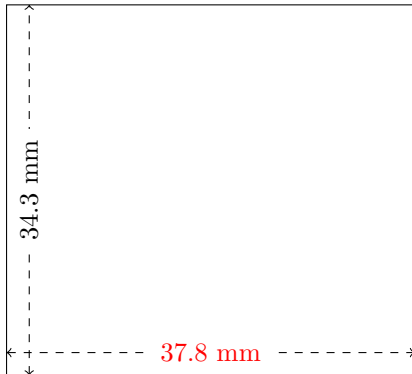
$$P = ?$$

$$A = 404.32 \text{ nm}^2$$

Rectangle Measurements (B) Answers

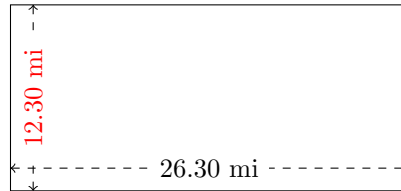
Calculate the missing measurements for each rectangle.

1.



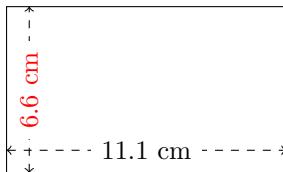
$$P = 144.2 \text{ mm}$$
$$A = 1296.54 \text{ mm}^2$$

2.



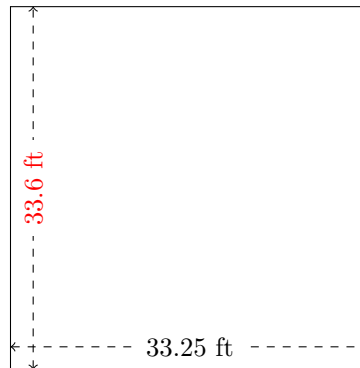
$$P = 77.2 \text{ mi}$$
$$A = 323.49 \text{ mi}^2$$

3.



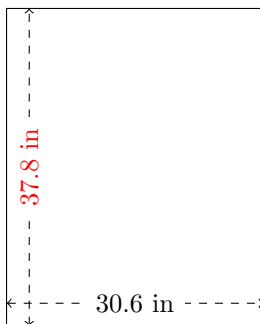
$$P = 35.4 \text{ cm}$$
$$A = 73.26 \text{ cm}^2$$

4.



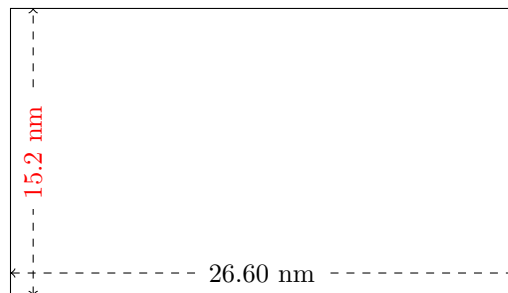
$$P = 133.7 \text{ ft}$$
$$A = 1117.2 \text{ ft}^2$$

5.



$$P = 136.8 \text{ in}$$
$$A = 1156.68 \text{ in}^2$$

6.



$$P = 83.6 \text{ nm}$$
$$A = 404.32 \text{ nm}^2$$