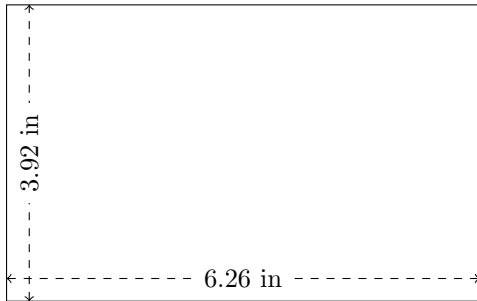


# Perimeter and Area of Rectangles (B)

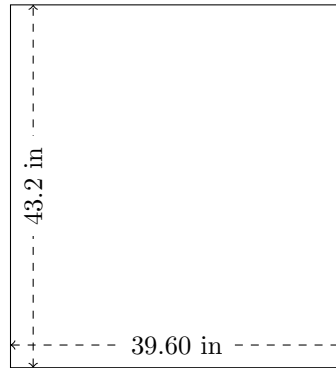
Calculate the perimeter and area for each rectangle.

1.



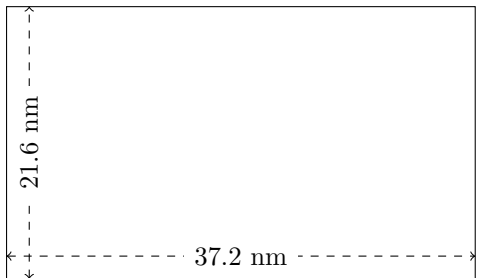
$$P = ?$$
$$A = ?$$

2.



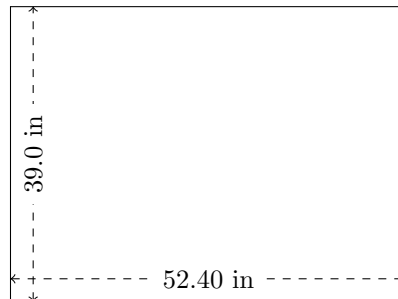
$$P = ?$$
$$A = ?$$

3.



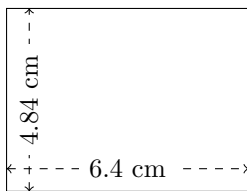
$$P = ?$$
$$A = ?$$

4.



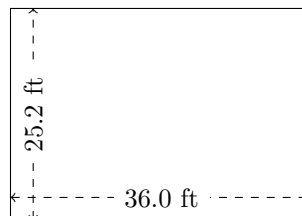
$$P = ?$$
$$A = ?$$

5.



$$P = ?$$
$$A = ?$$

6.

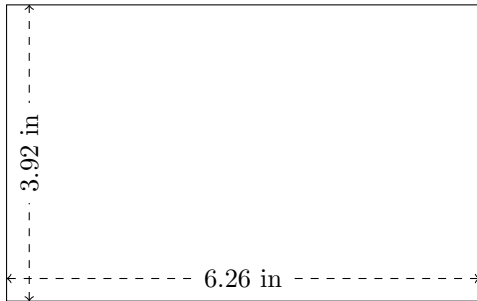


$$P = ?$$
$$A = ?$$

# Perimeter and Area of Rectangles (B) Answers

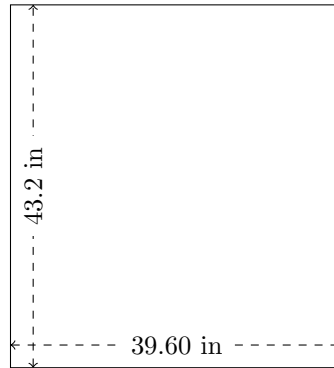
Calculate the perimeter and area for each rectangle.

1.



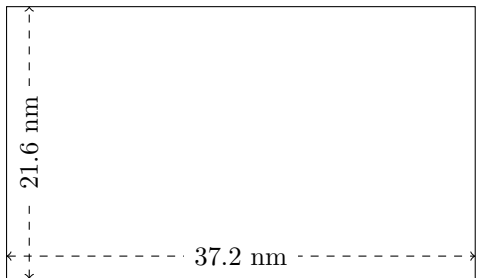
$$P = 20.36 \text{ in}$$
$$A = 24.5392 \text{ in}^2$$

2.



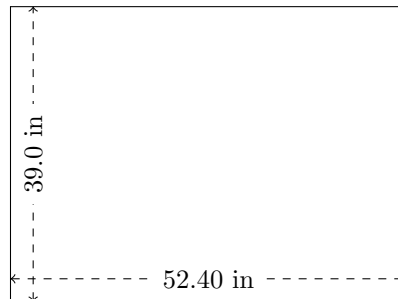
$$P = 165.6 \text{ in}$$
$$A = 1710.72 \text{ in}^2$$

3.



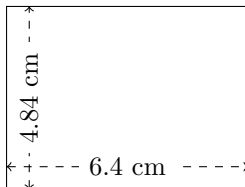
$$P = 117.6 \text{ nm}$$
$$A = 803.52 \text{ nm}^2$$

4.



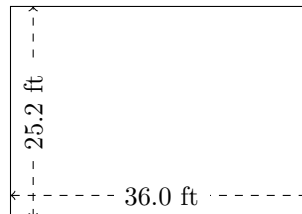
$$P = 182.8 \text{ in}$$
$$A = 2043.6 \text{ in}^2$$

5.



$$P = 22.48 \text{ cm}$$
$$A = 30.976 \text{ cm}^2$$

6.



$$P = 122.4 \text{ ft}$$
$$A = 907.2 \text{ ft}^2$$