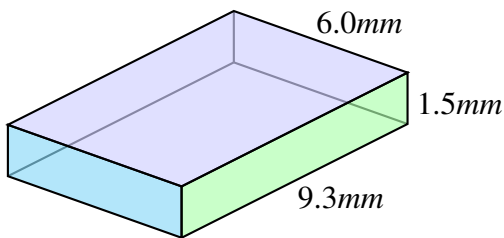


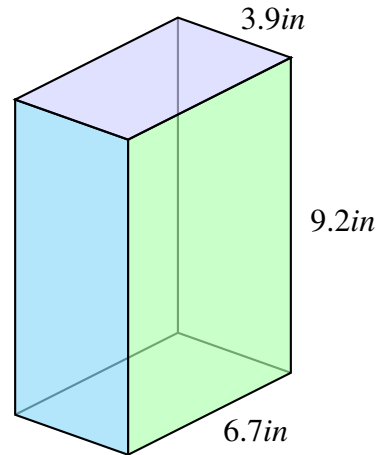
## Volume and surface area of prisms (J)

Find the volume and surface area of each prism.



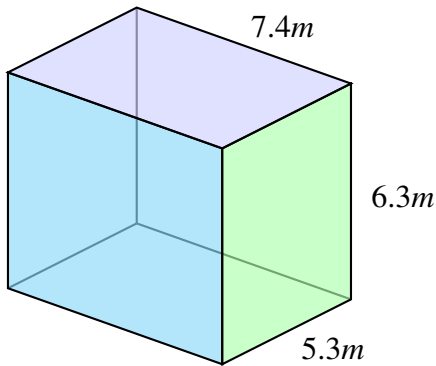
V: \_\_\_\_\_

SA: \_\_\_\_\_



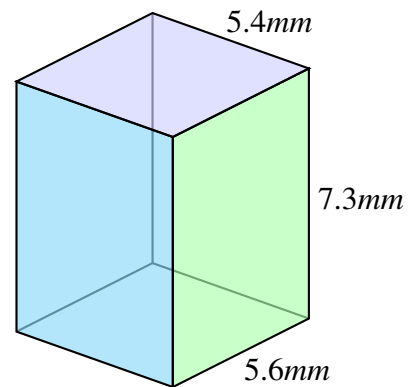
V: \_\_\_\_\_

SA: \_\_\_\_\_



V: \_\_\_\_\_

SA: \_\_\_\_\_



V: \_\_\_\_\_

SA: \_\_\_\_\_