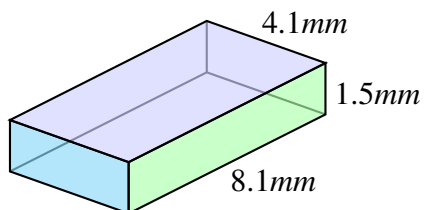


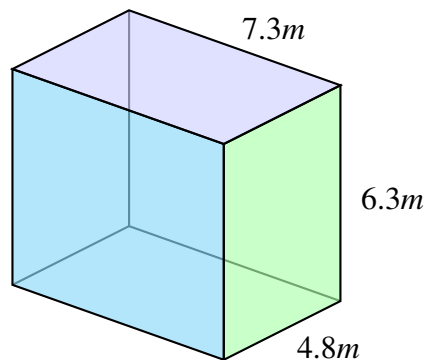
Volume and surface area of prisms (H)

Find the volume and surface area of each prism.



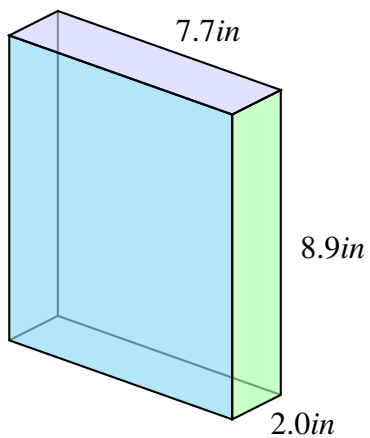
V: _____

SA: _____



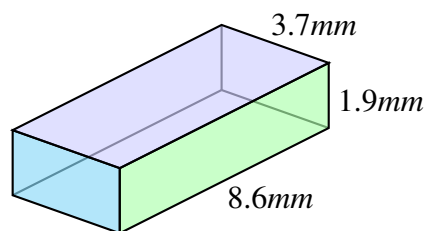
V: _____

SA: _____



V: _____

SA: _____

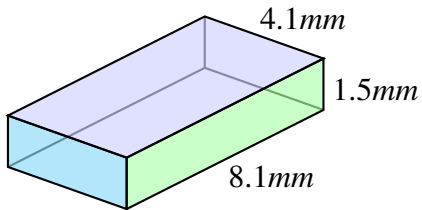


V: _____

SA: _____

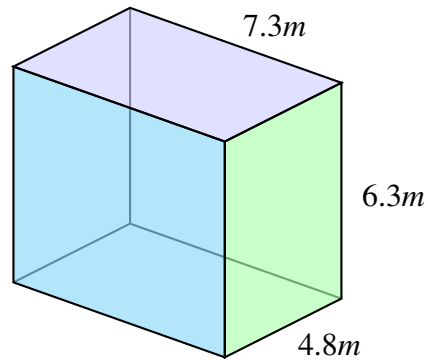
Volume and surface area of prisms (H) Answers

Find the volume and surface area of each prism.



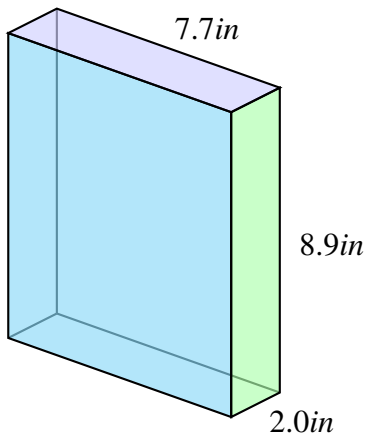
$$V: 8.1mm \times 4.1 \times 1.5mm = 49.815mm^3$$

$$SA: 2 \times (33.21 + 6.15 + 12.15)mm = 103.02mm^2$$



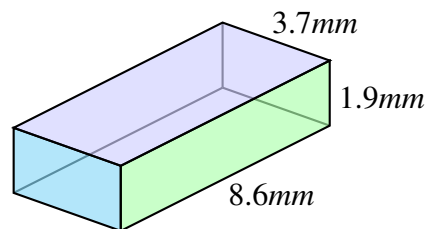
$$V: 4.8m \times 7.3 \times 6.3m = 220.752m^3$$

$$SA: 2 \times (35.04 + 45.99 + 30.24)m = 222.54m^2$$



$$V: 2.0in \times 7.7 \times 8.9in = 137.06in^3$$

$$SA: 2 \times (15.4 + 68.53 + 17.8)in = 203.46in^2$$



$$V: 8.6mm \times 3.7 \times 1.9mm = 60.458mm^3$$

$$SA: 2 \times (31.82 + 7.03 + 16.34)mm = 110.38mm^2$$