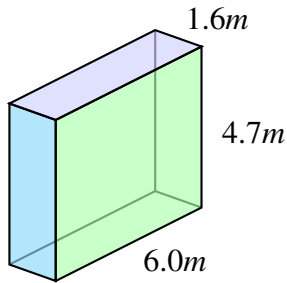


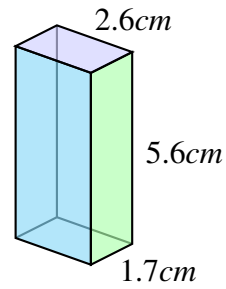
Volume and surface area of prisms (E)

Find the volume and surface area of each prism.



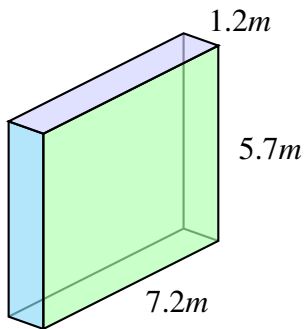
V: _____

SA: _____



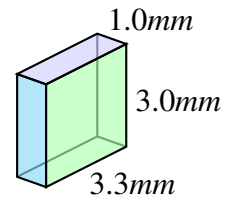
V: _____

SA: _____



V: _____

SA: _____

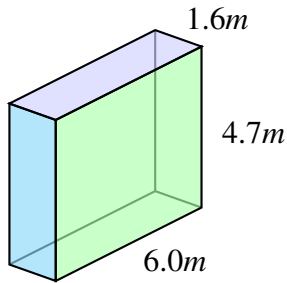


V: _____

SA: _____

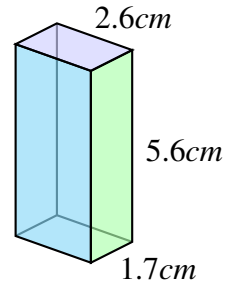
Volume and surface area of prisms (E) Answers

Find the volume and surface area of each prism.



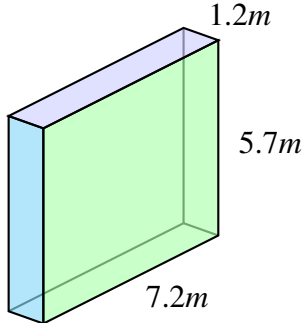
$$V: 6.0m \times 1.6 \times 4.7m = 45.12m^3$$

$$SA: 2 \times (9.6 + 7.52 + 28.2)m = 90.64m^2$$



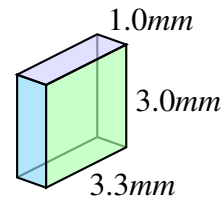
$$V: 1.7cm \times 2.6 \times 5.6cm = 24.752cm^3$$

$$SA: 2 \times (4.42 + 14.56 + 9.52)cm = 57.0cm^2$$



$$V: 7.2m \times 1.2 \times 5.7m = 49.248m^3$$

$$SA: 2 \times (8.64 + 6.84 + 41.04)m = 113.04m^2$$



$$V: 3.3mm \times 1.0 \times 3.0mm = 9.9mm^3$$

$$SA: 2 \times (3.3 + 3.0 + 9.9)mm = 32.4mm^2$$