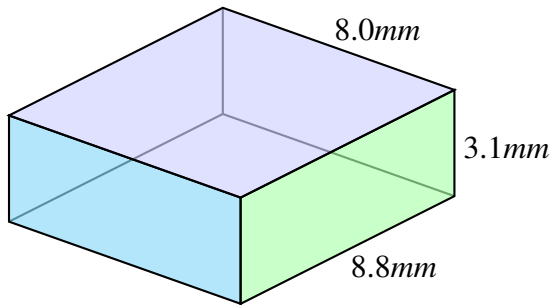


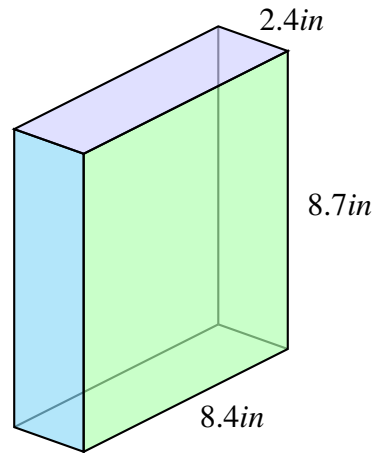
## Volume and surface area of prisms (D)

Find the volume and surface area of each prism.



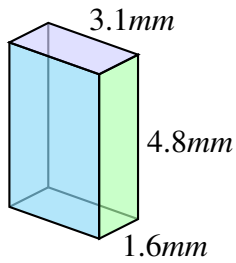
V: \_\_\_\_\_

SA: \_\_\_\_\_



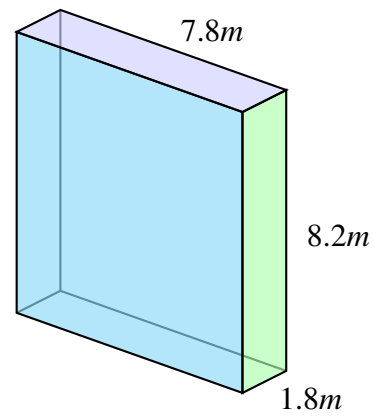
V: \_\_\_\_\_

SA: \_\_\_\_\_



V: \_\_\_\_\_

SA: \_\_\_\_\_

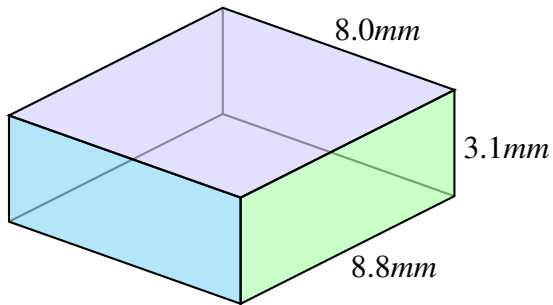


V: \_\_\_\_\_

SA: \_\_\_\_\_

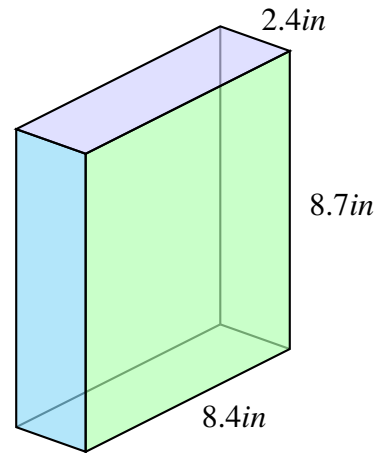
## Volume and surface area of prisms (D) Answers

Find the volume and surface area of each prism.



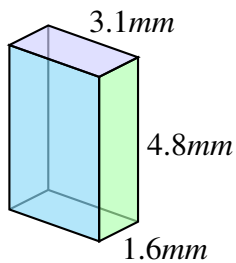
$$V: 8.8mm \times 8.0 \times 3.1mm = 218.24mm^3$$

$$SA: 2 \times (70.4 + 24.8 + 27.28)mm = 244.96mm^2$$



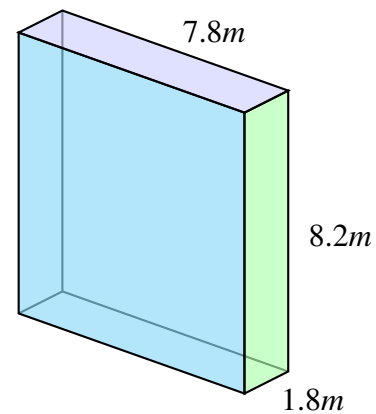
$$V: 8.4in \times 2.4 \times 8.7in = 175.392in^3$$

$$SA: 2 \times (20.16 + 20.88 + 73.08)in = 228.24in^2$$



$$V: 1.6mm \times 3.1 \times 4.8mm = 23.808mm^3$$

$$SA: 2 \times (4.96 + 14.88 + 7.68)mm = 55.04mm^2$$



$$V: 1.8m \times 7.8 \times 8.2m = 115.128m^3$$

$$SA: 2 \times (14.04 + 63.96 + 14.76)m = 185.52m^2$$