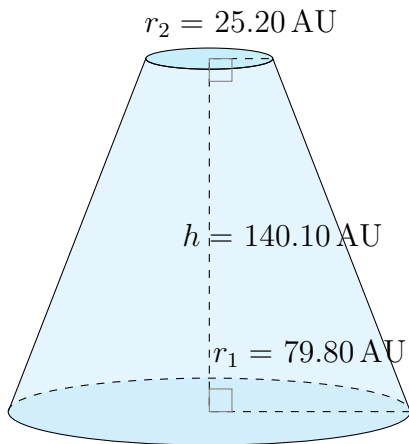


Surface Area and Volume of Conical Frustums (I)

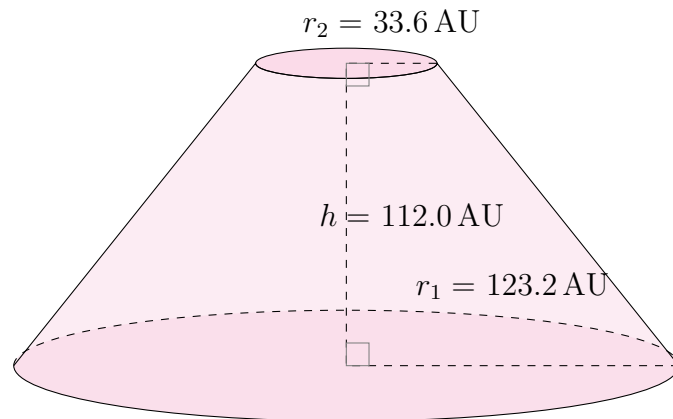
Calculate the surface area and volume for each conical frustum.

$$\text{Surface Area} = \pi(r_1 + r_2)\sqrt{(r_1 - r_2)^2 + h^2} + \pi r_1^2 + \pi r_2^2 \quad \text{Volume} = \frac{\pi}{3}h(r_1^2 + r_2^2 + r_1 r_2)$$

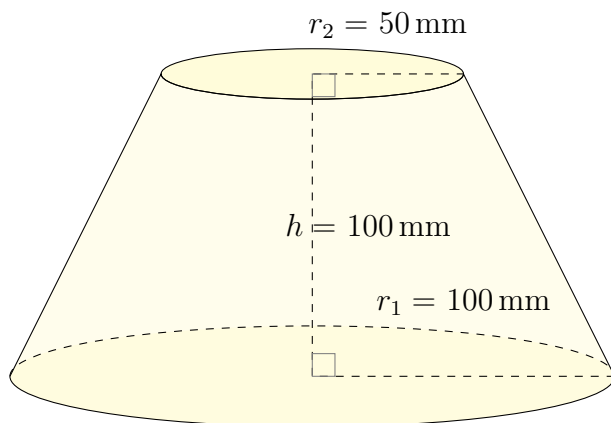
1.



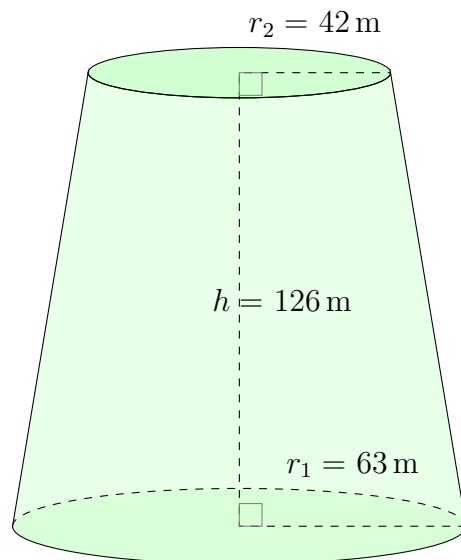
2.



3.



4.

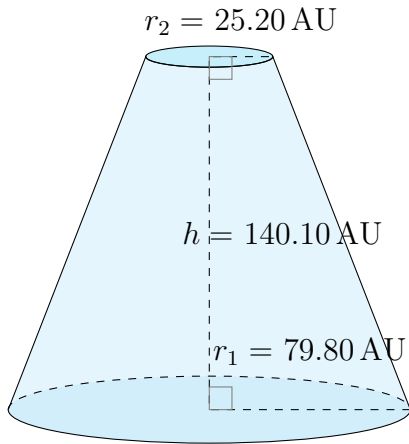


Surface Area and Volume of Conical Frustums (I) Answers

Calculate the surface area and volume for each conical frustum.

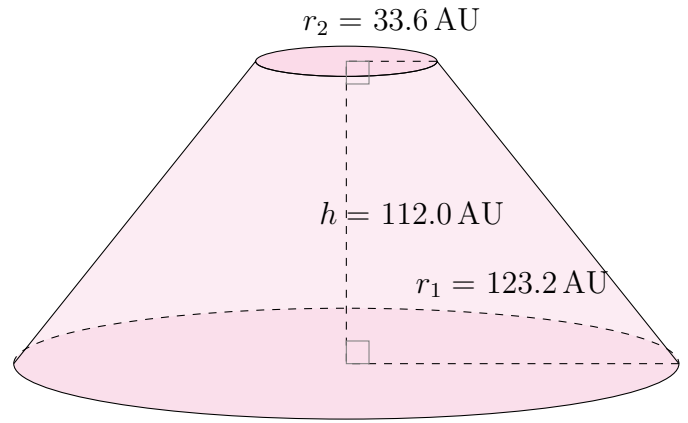
$$\text{Surface Area} = \pi(r_1 + r_2)\sqrt{(r_1 - r_2)^2 + h^2} + \pi r_1^2 + \pi r_2^2 \quad \text{Volume} = \frac{\pi}{3}h(r_1^2 + r_2^2 + r_1 r_2)$$

1.



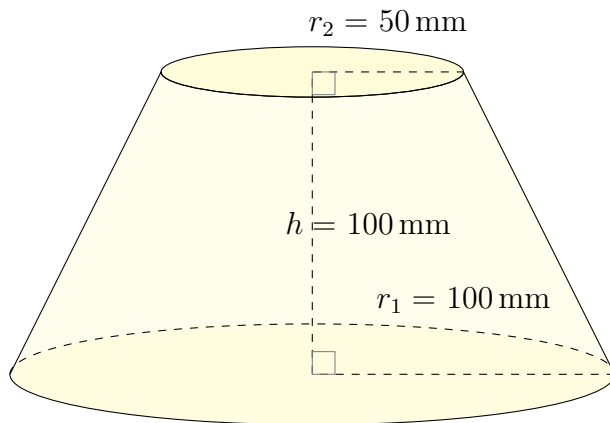
Surface Area: 71,600.80 AU²
Volume: 1,322,471.23 AU³

2.



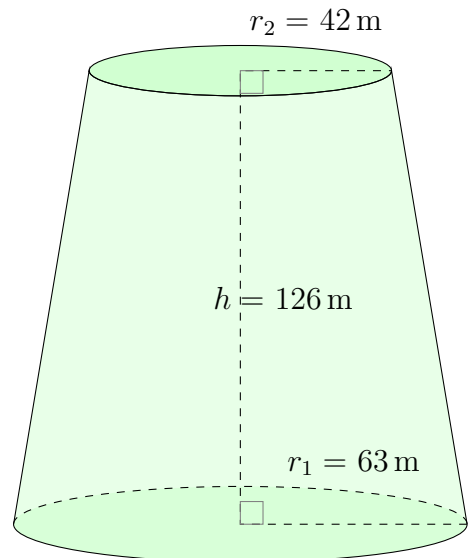
Surface Area: 121,884.4 AU²
Volume: 2,398,116.6 AU³

3.



Surface Area: 91,956 mm²
Volume: 1,832,596 mm³

4.



Surface Area: 60,147 m²
Volume: 1,105,583 m³