

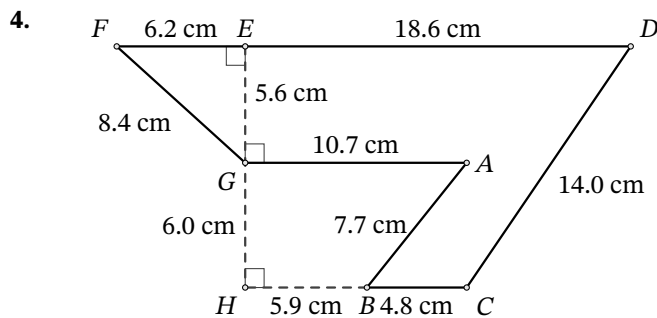
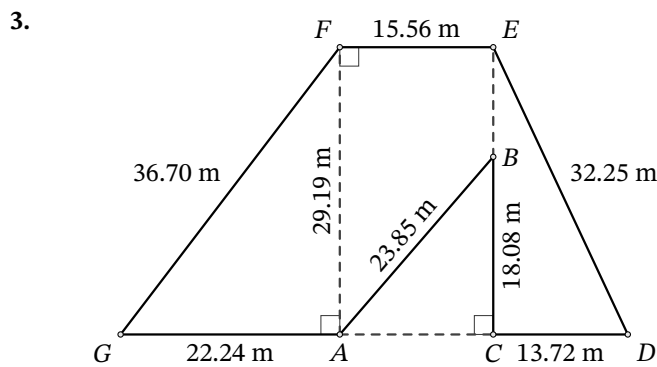
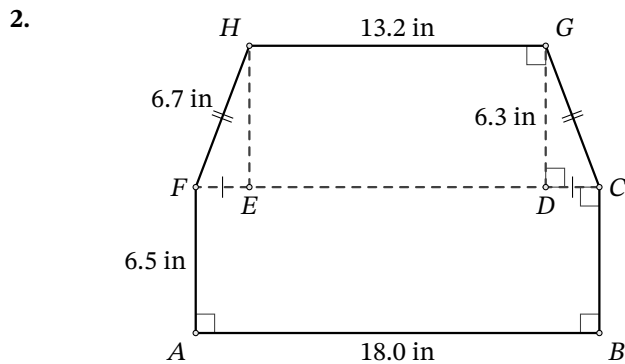
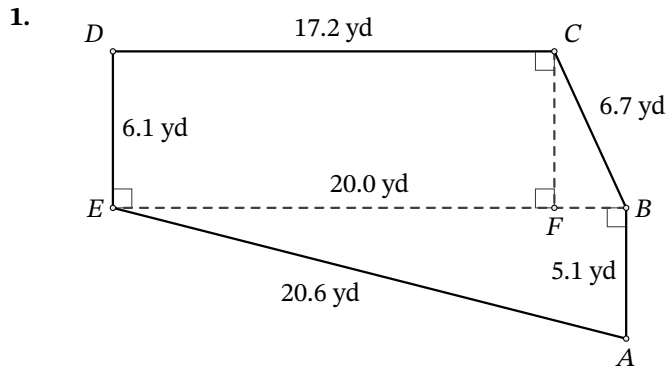
Area and Perimeter of Composite Shapes (F)

Name: _____

Date: _____

Score: _____

Calculate the area and perimeter of each figure. Round to the number of decimals in the measurements.



Area and Perimeter of Composite Shapes (F) Answers

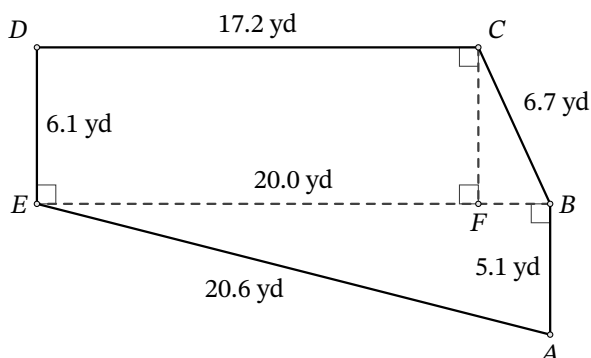
Name: _____

Date: _____

Score: _____

Calculate the area and perimeter of each figure. Round to the number of decimals in the measurements.

1.



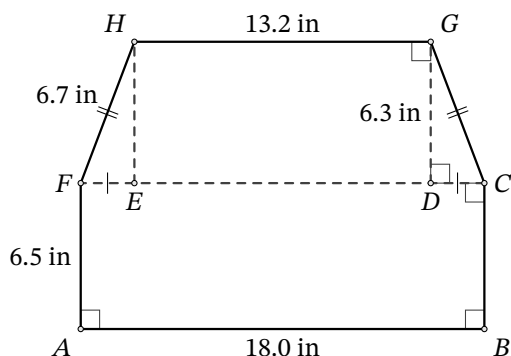
Area

$$\begin{aligned} & (\text{Area of } ABE) + (\text{Area of } BCDE) \\ &= \left(\frac{20.0 \times 5.1}{2}\right) + \left(\frac{17.2 + 20.0}{2} \times 6.1\right) \\ &= 51.0 + 113.46 \\ &= 164.5 \text{ yd}^2 \end{aligned}$$

Perimeter

$$\begin{aligned} &= AB + BC + CD + DE + EA \\ &= 5.1 + 6.7 + 17.2 + 6.1 + 20.6 \\ &= 55.7 \text{ yd} \end{aligned}$$

2.



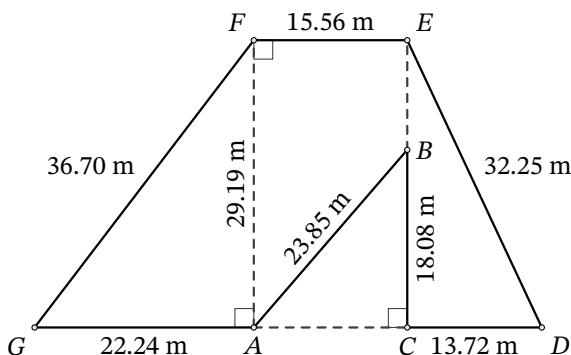
Area

$$\begin{aligned} & (\text{Area of } ABCF) + (\text{Area of } CGHF) \\ &= (6.5 \times 18.0) + \left(\frac{18.0 + 13.2}{2} \times 6.3\right) \\ &= 117.0 + 98.28 \\ &= 215.3 \text{ in}^2 \end{aligned}$$

Perimeter

$$\begin{aligned} &= AB + BC + CG + GH + HF + FA \\ &= 18.0 + 6.5 + 6.7 + 13.2 + 6.7 + 6.5 \\ &= 57.6 \text{ in} \end{aligned}$$

3.



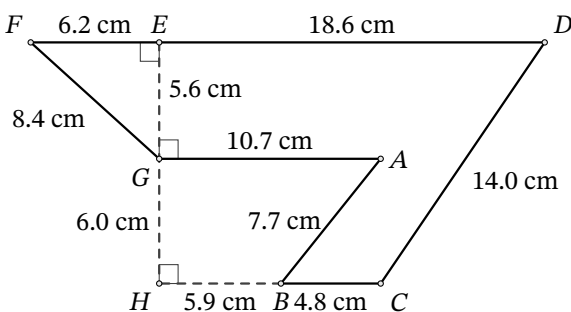
Area

$$\begin{aligned} & (\text{Area of } DEFG) - (\text{Area of } ACB) \\ &= \left(\frac{51.52 + 15.56}{2} \times 29.19\right) - \left(\frac{15.56 \times 18.08}{2}\right) \\ &= 979.0326 - 140.6624 \\ &= 838.37 \text{ m}^2 \end{aligned}$$

Perimeter

$$\begin{aligned} &= AB + BC + CD + DE + EF + FG + GA \\ &= 23.85 + 18.08 + 13.72 + 32.25 + 15.56 + 36.70 + 22.24 \\ &= 162.40 \text{ m} \end{aligned}$$

4.



Area

$$\begin{aligned} & (\text{Area of } CDEH) - (\text{Area of } AGHB) + (\text{Area of } EFG) \\ &= \left(\frac{18.6 + 10.7}{2} \times 11.6\right) - \left(\frac{10.7 + 5.9}{2} \times 6.0\right) + \left(\frac{6.2 \times 5.6}{2}\right) \\ &= 169.94 - 49.8 + 17.36 \\ &= 137.5 \text{ cm}^2 \end{aligned}$$

Perimeter

$$\begin{aligned} &= AB + BC + CD + DF + FG + GA \\ &= 7.7 + 4.8 + 14.0 + 24.8 + 8.4 + 10.7 \\ &= 70.4 \text{ cm} \end{aligned}$$