

# Area and Perimeter of Composite Shapes (E)

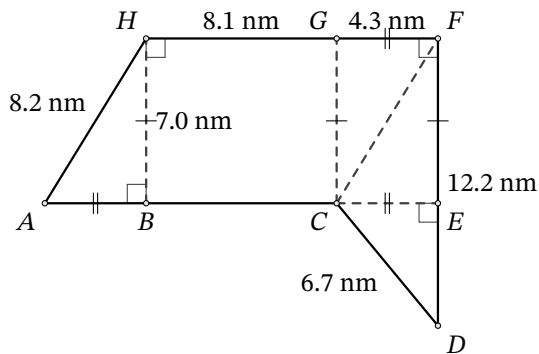
Name: \_\_\_\_\_

Date: \_\_\_\_\_

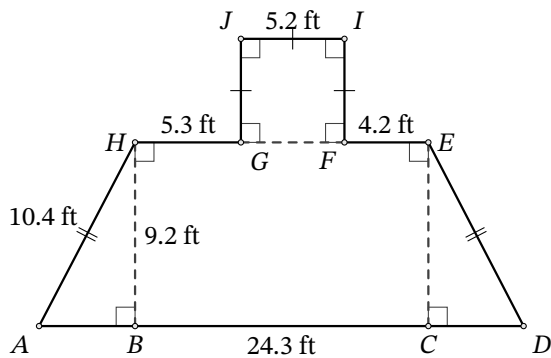
Score: \_\_\_\_\_

Calculate the area and perimeter of each figure. Round to the number of decimals in the measurements.

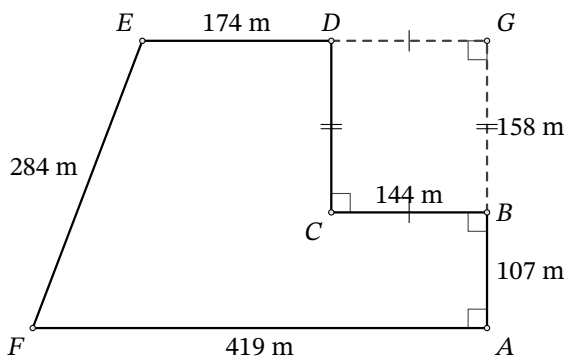
1.



2.



3.



4.

