

Area and Perimeter of Composite Shapes (D)

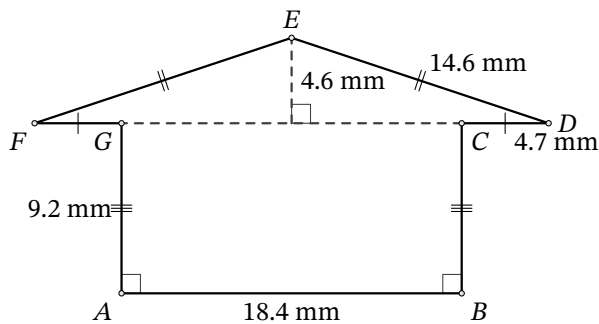
Name: _____

Date: _____

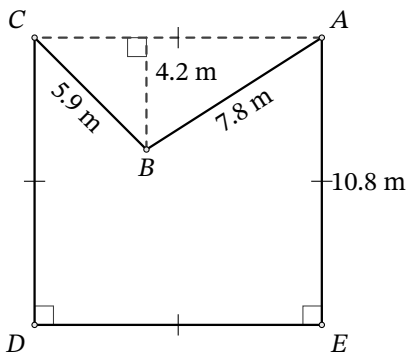
Score: _____

Calculate the area and perimeter of each figure. Round to the number of decimals in the measurements.

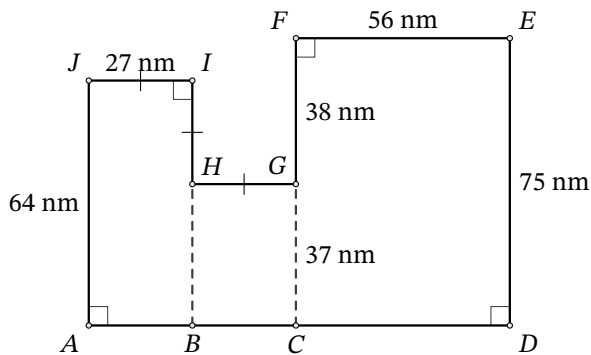
1.



2.



3.



4.

