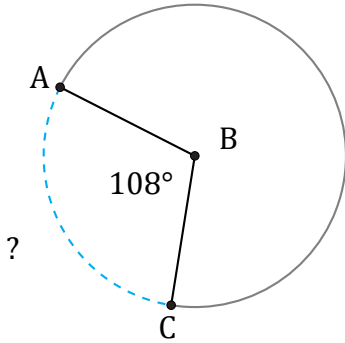


# Arc Length (F)

Name: \_\_\_\_\_

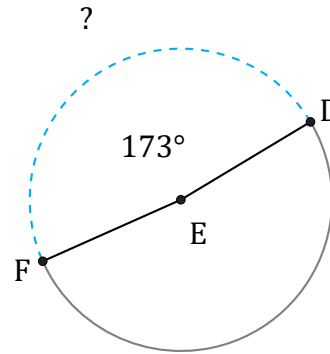
Date: \_\_\_\_\_

Calculate each arc length.



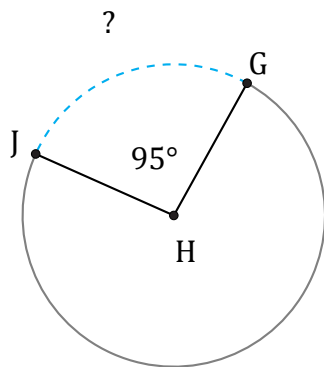
Circumference = 2557.26 mm

$\widehat{AC} =$



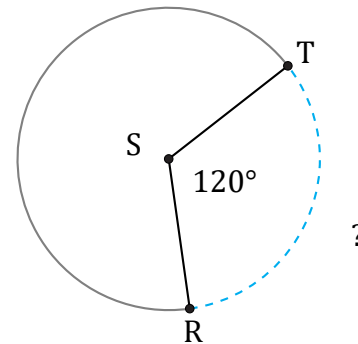
Circumference = 188.5 cm

$\widehat{DF} =$



Circumference = 4523.89 in

$\widehat{GJ} =$



Circumference = 18.85 mm

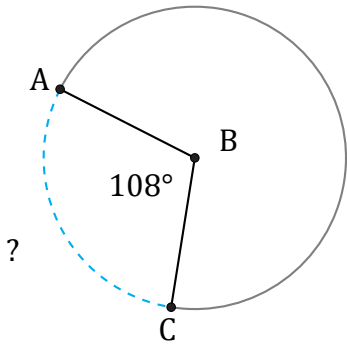
$\widehat{RT} =$

# Arc Length (F) Answers

Name: \_\_\_\_\_

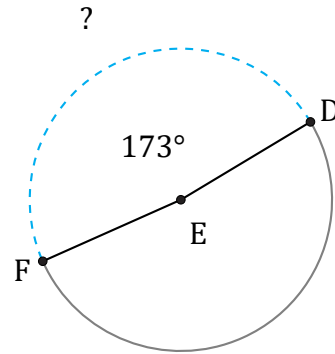
Date: \_\_\_\_\_

Calculate each arc length.



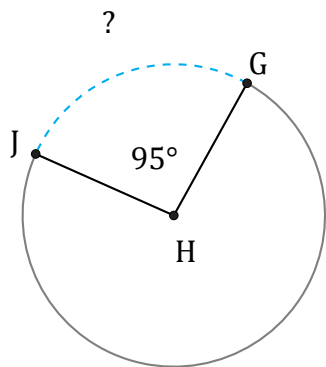
Circumference = 2557.26 mm

$$\widehat{AC} = \frac{108}{360} \times 2557.26 = 767.18 \text{ mm}$$



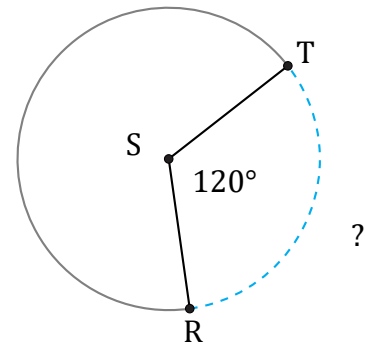
Circumference = 188.5 cm

$$\widehat{DF} = \frac{173}{360} \times 188.5 = 90.58 \text{ cm}$$



Circumference = 4523.89 in

$$\widehat{GJ} = \frac{95}{360} \times 4523.89 = 1193.8 \text{ in}$$



Circumference = 18.85 mm

$$\widehat{RT} = \frac{120}{360} \times 18.85 = 6.28 \text{ mm}$$