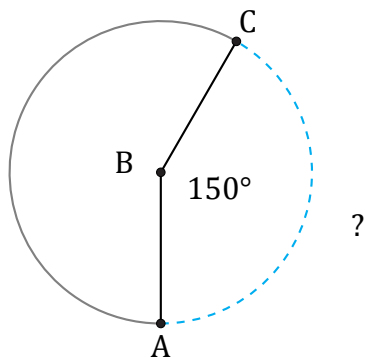


Arc Length (D)

Name: _____

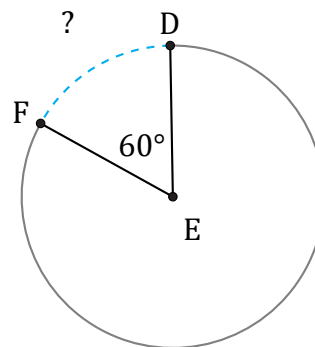
Date: _____

Calculate each arc length.



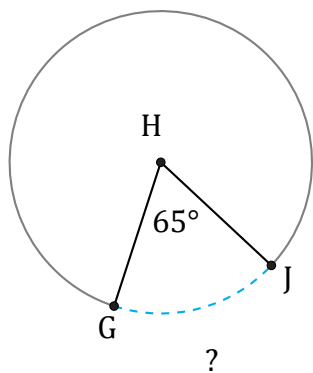
Circumference = 1979.2 in

$\widehat{AC} =$



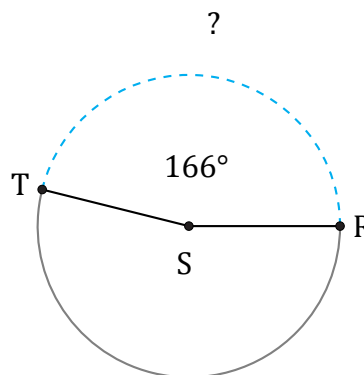
Circumference = 2463.01 km

$\widehat{DF} =$



Circumference = 1363.45 ft

$\widehat{GJ} =$



Circumference = 1614.78 km

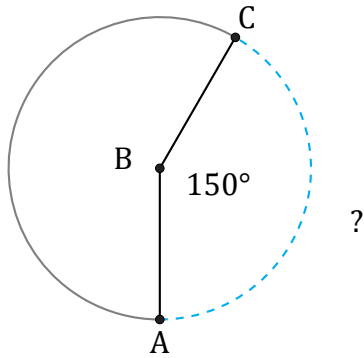
$\widehat{RT} =$

Arc Length (D) Answers

Name: _____

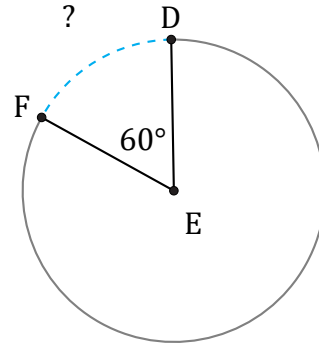
Date: _____

Calculate each arc length.



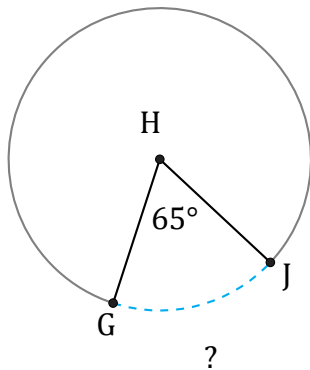
Circumference = 1979.2 in

$$\widehat{AC} = \frac{150}{360} \times 1979.2 = 824.67 \text{ in}$$



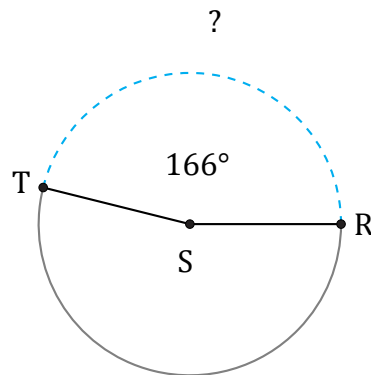
Circumference = 2463.01 km

$$\widehat{DF} = \frac{60}{360} \times 2463.01 = 410.5 \text{ km}$$



Circumference = 1363.45 ft

$$\widehat{GJ} = \frac{65}{360} \times 1363.45 = 246.18 \text{ ft}$$



Circumference = 1614.78 km

$$\widehat{RT} = \frac{166}{360} \times 1614.78 = 744.59 \text{ km}$$