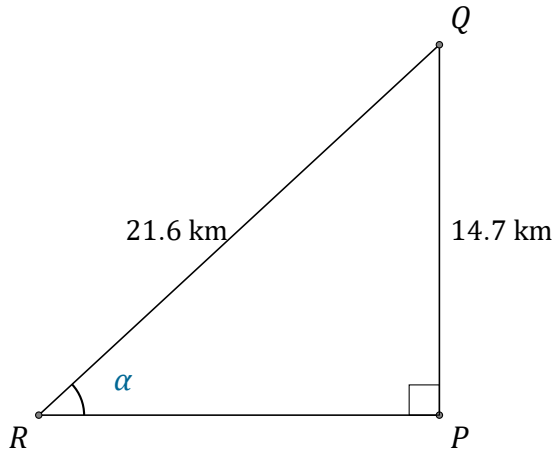


# Trigonometric Ratios (D)

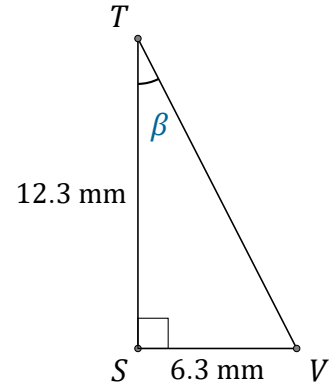
Name: \_\_\_\_\_

Date: \_\_\_\_\_

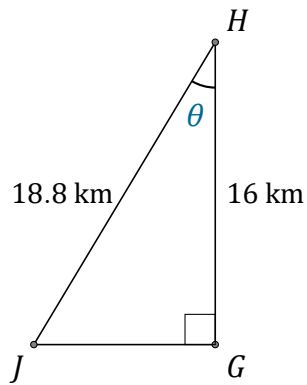
Calculate the angle values using trigonometric ratios



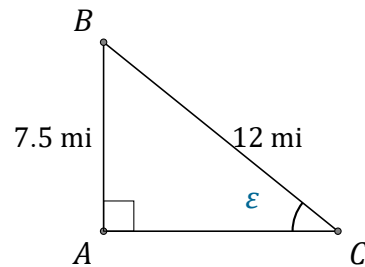
$$\alpha = \angle PRQ = \underline{\hspace{2cm}}$$



$$\beta = \angle STV = \underline{\hspace{2cm}}$$



$$\theta = \angle GHJ = \underline{\hspace{2cm}}$$



$$\epsilon = \angle ACB = \underline{\hspace{2cm}}$$