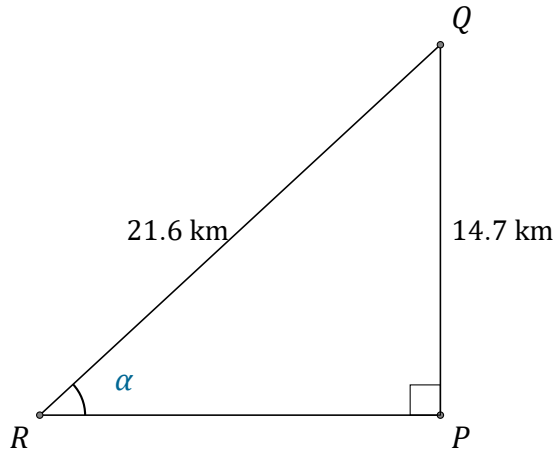


Trigonometric Ratios (D)

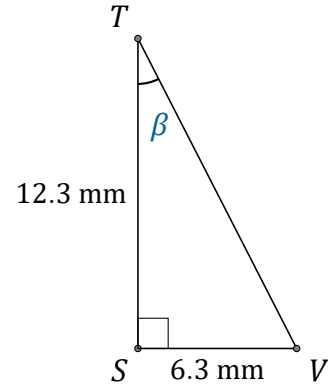
Name: _____

Date: _____

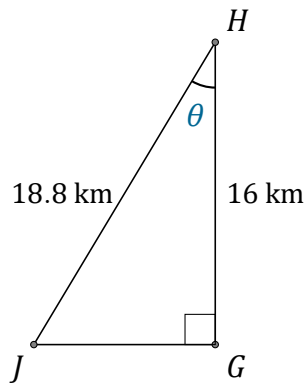
Calculate the angle values using trigonometric ratios



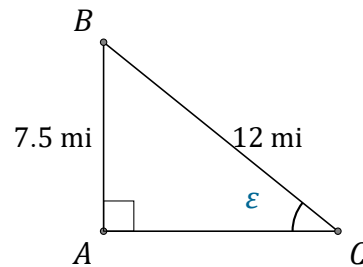
$$\alpha = \angle PRQ = \underline{\hspace{2cm}}$$



$$\beta = \angle STV = \underline{\hspace{2cm}}$$



$$\theta = \angle GHJ = \underline{\hspace{2cm}}$$



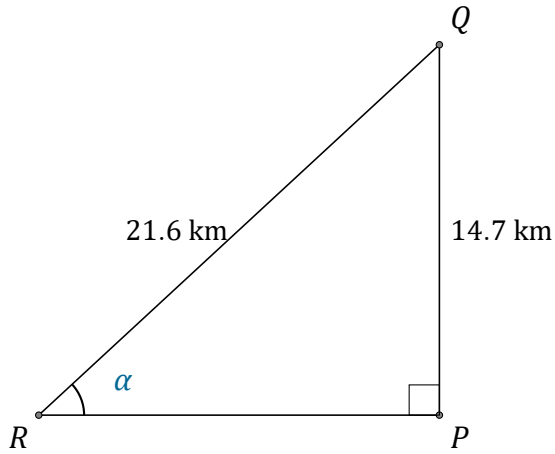
$$\epsilon = \angle ACB = \underline{\hspace{2cm}}$$

Trigonometric Ratios (D) Answers

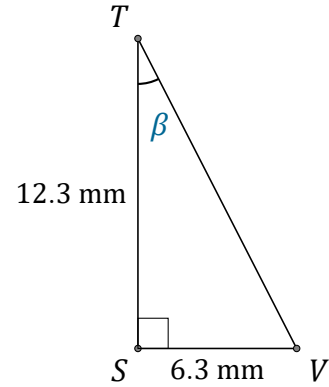
Name: _____

Date: _____

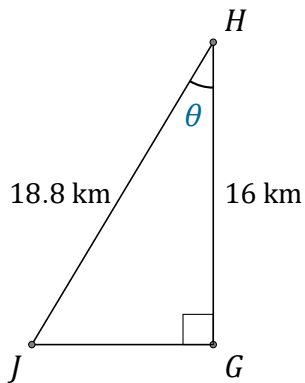
Calculate the angle values using trigonometric ratios



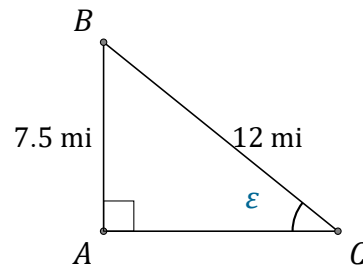
$$\alpha = \angle PRQ = \underline{42.9^\circ}$$



$$\beta = \angle STV = \underline{27.1^\circ}$$



$$\theta = \angle GHJ = \underline{31.7^\circ}$$



$$\epsilon = \angle ACB = \underline{38.7^\circ}$$