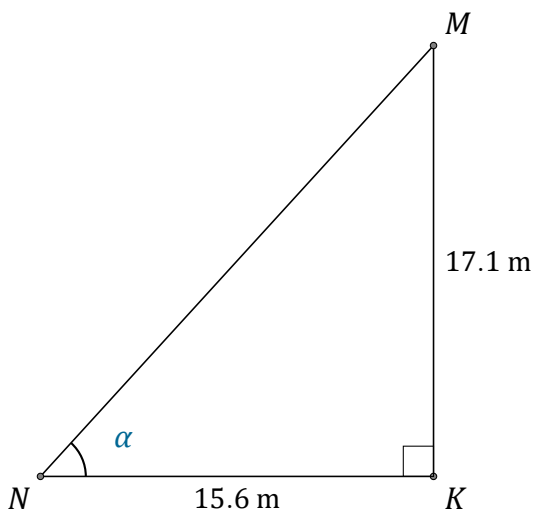


Trigonometric Ratios (A)

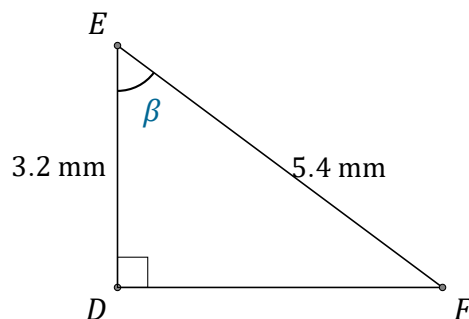
Name: _____

Date: _____

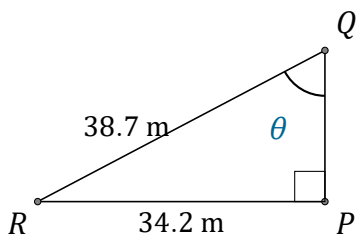
Calculate the angle values using trigonometric ratios



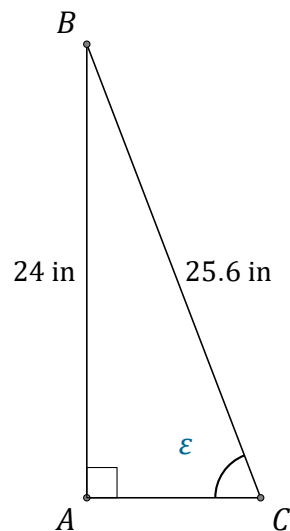
$$\alpha = \angle KNM = \underline{\hspace{2cm}}$$



$$\beta = \angle DEF = \underline{\hspace{2cm}}$$



$$\theta = \angle PQR = \underline{\hspace{2cm}}$$



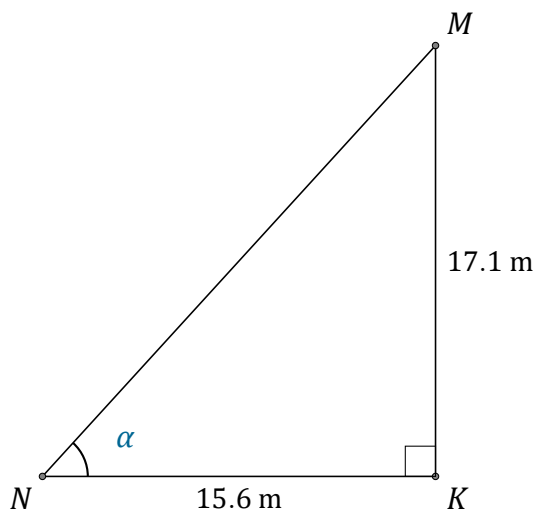
$$\epsilon = \angle ACB = \underline{\hspace{2cm}}$$

Trigonometric Ratios (A) Answers

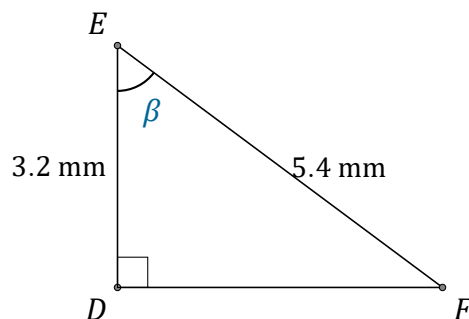
Name: _____

Date: _____

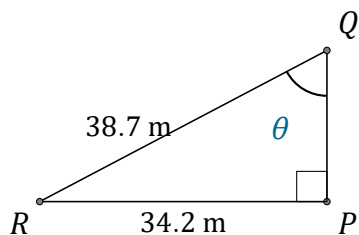
Calculate the angle values using trigonometric ratios



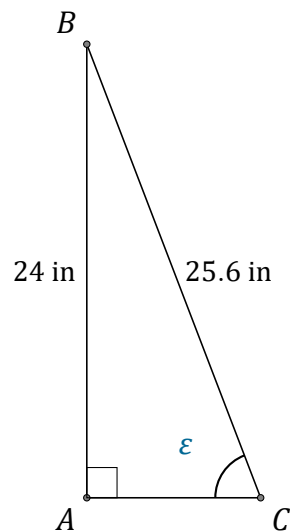
$$\alpha = \angle KNM = \underline{47.6^\circ}$$



$$\beta = \angle DEF = \underline{53.7^\circ}$$



$$\theta = \angle PQR = \underline{62.1^\circ}$$



$$\epsilon = \angle ACB = \underline{69.6^\circ}$$