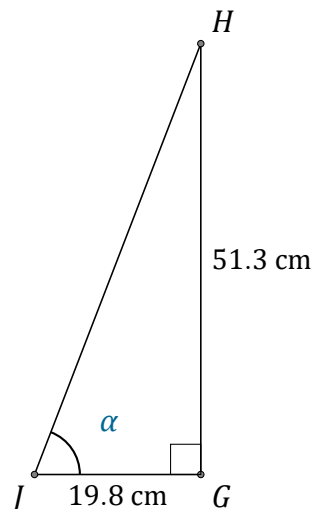


Tangent Ratio (A)

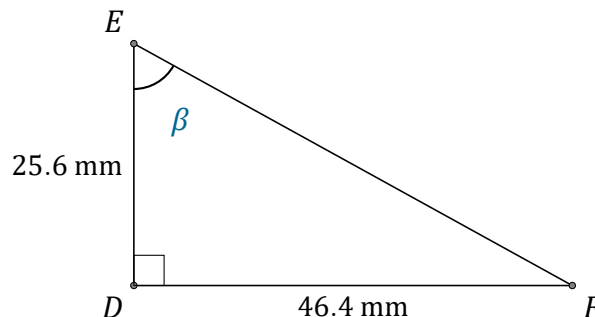
Name: _____

Date: _____

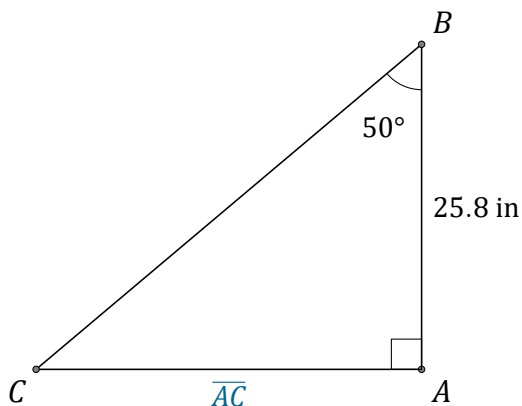
Calculate the angle and side values using the tangent ratio: $\tan(\alpha) = \frac{O}{A}$



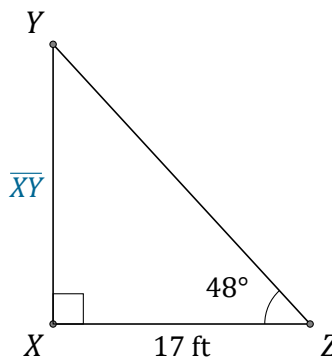
$\alpha = \angle GJH =$ _____



$\beta = \angle DEF =$ _____



$\overline{AC} =$ _____



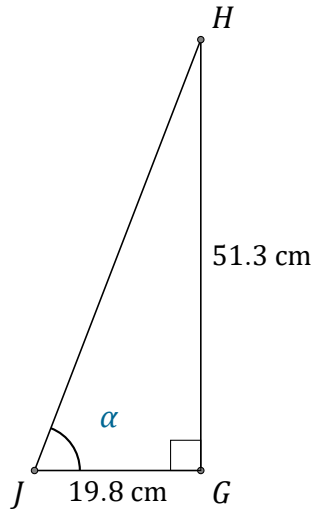
$\overline{XY} =$ _____

Tangent Ratio (A) Answers

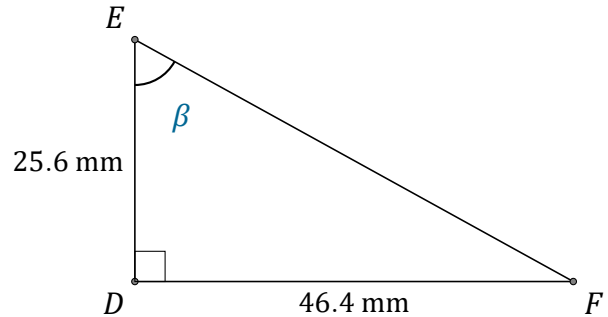
Name: _____

Date: _____

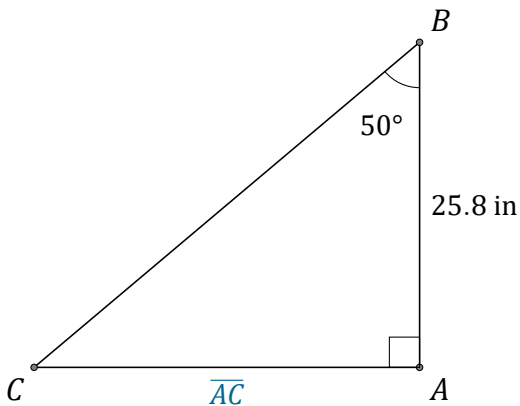
Calculate the angle and side values using the tangent ratio: $\tan(\alpha) = \frac{O}{A}$



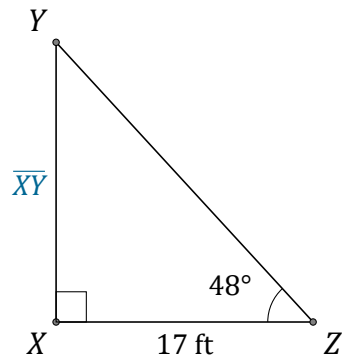
$\alpha = \angle GJH = \underline{68.9^\circ}$



$\beta = \angle DEF = \underline{61.1^\circ}$



$\overline{AC} = \underline{30.7 \text{ in}}$



$\overline{XY} = \underline{18.9 \text{ ft}}$