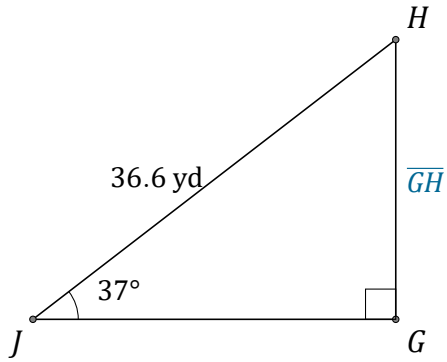


Sine Ratio (B)

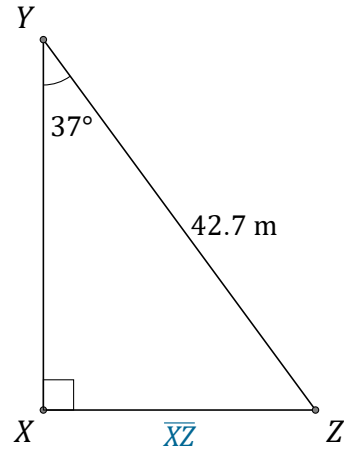
Name: _____

Date: _____

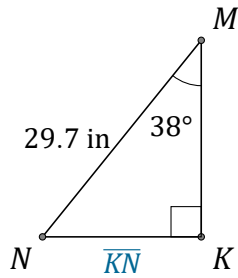
Calculate the side values using the sine ratio: $\sin(\alpha) = \frac{O}{H}$



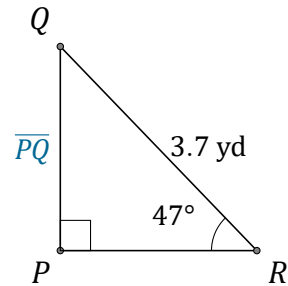
$\overline{GH} =$ _____



$\overline{XZ} =$ _____



$\overline{KN} =$ _____



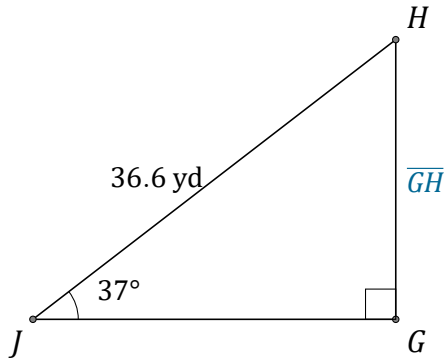
$\overline{PQ} =$ _____

Sine Ratio (B) Answers

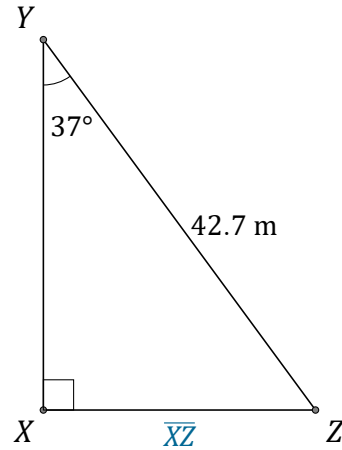
Name: _____

Date: _____

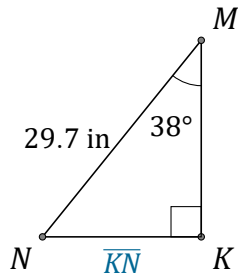
Calculate the side values using the sine ratio: $\sin(\alpha) = \frac{O}{H}$



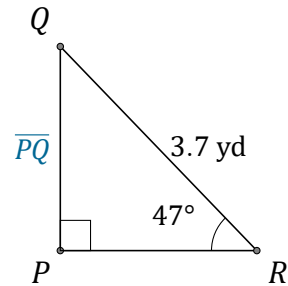
$\overline{GH} = \underline{22 \text{ yd}}$



$\overline{XZ} = \underline{25.7 \text{ m}}$



$\overline{KN} = \underline{18.3 \text{ in}}$



$\overline{PQ} = \underline{2.7 \text{ yd}}$