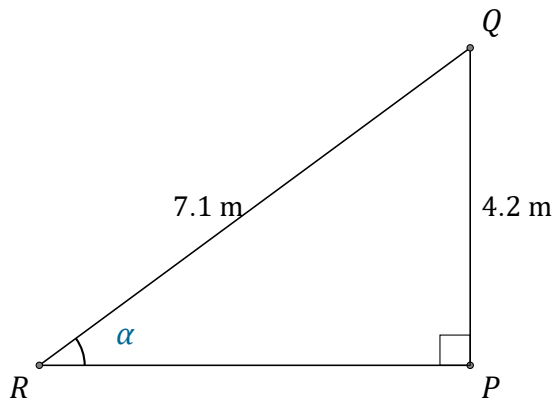


Sine Ratio (C)

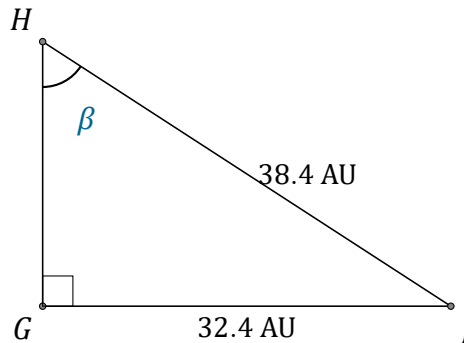
Name: _____

Date: _____

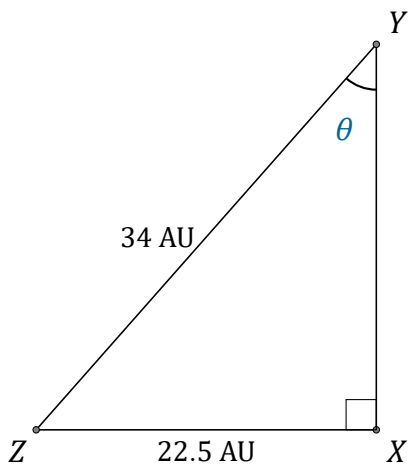
Calculate the angle values using the sine ratio: $\sin(\alpha) = \frac{O}{H}$



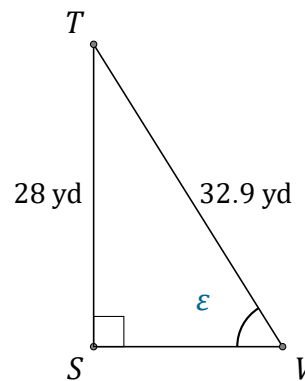
$\alpha = \angle PRQ =$ _____



$\beta = \angle GHJ =$ _____



$\theta = \angle XYZ =$ _____



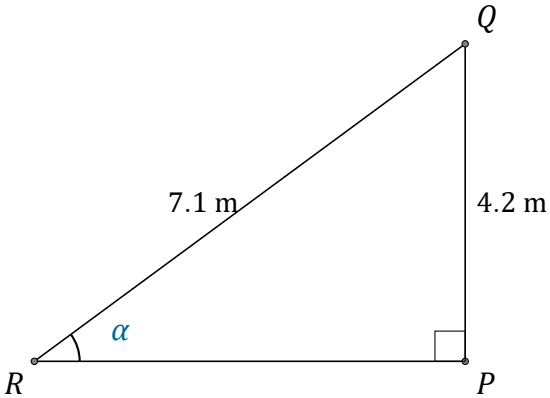
$\epsilon = \angle SVT =$ _____

Sine Ratio (C) Answers

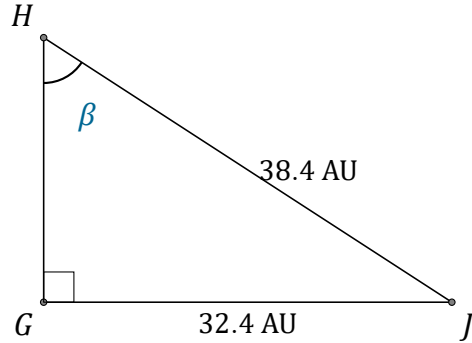
Name: _____

Date: _____

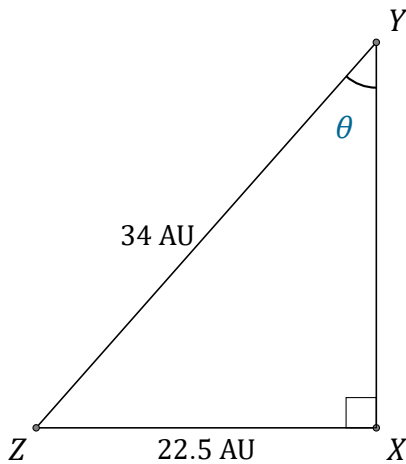
Calculate the angle values using the sine ratio: $\sin(\alpha) = \frac{O}{H}$



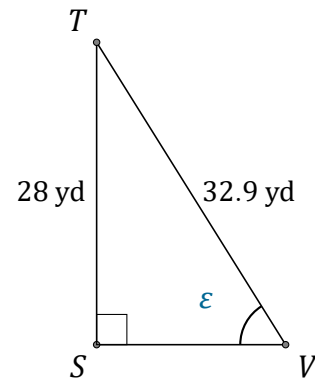
$$\alpha = \angle PRQ = \underline{36.3^\circ}$$



$$\beta = \angle GHJ = \underline{57.5^\circ}$$



$$\theta = \angle XYZ = \underline{41.4^\circ}$$



$$\epsilon = \angle SVT = \underline{58.3^\circ}$$