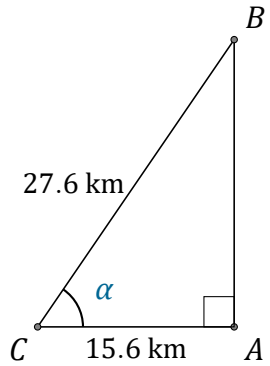


# Cosine Ratio (I)

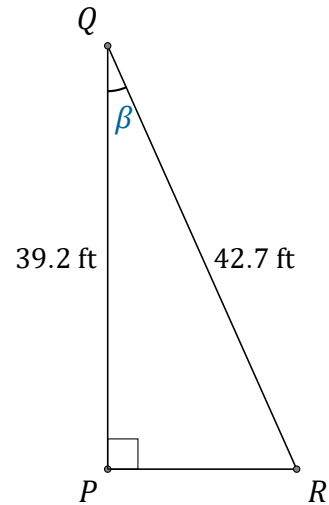
Name: \_\_\_\_\_

Date: \_\_\_\_\_

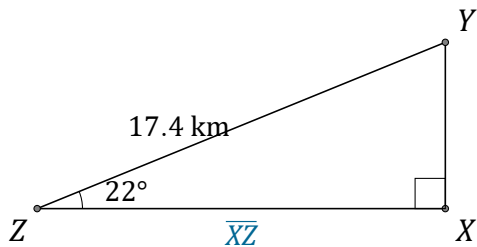
Calculate the angle and side values using the cosine ratio:  $\cos(\alpha) = \frac{A}{H}$



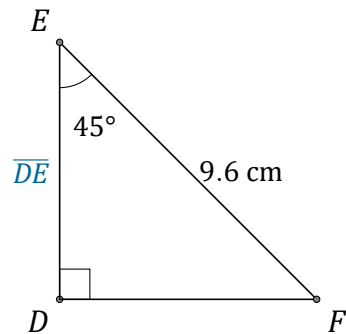
$$\alpha = \angle ACB = \underline{\hspace{2cm}}$$



$$\beta = \angle PQR = \underline{\hspace{2cm}}$$



$$\overline{XZ} = \underline{\hspace{2cm}}$$



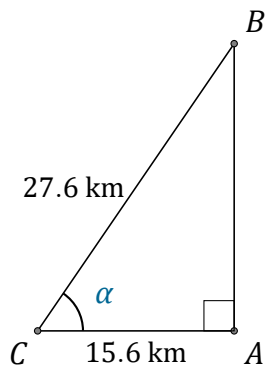
$$\overline{DE} = \underline{\hspace{2cm}}$$

# Cosine Ratio (I) Answers

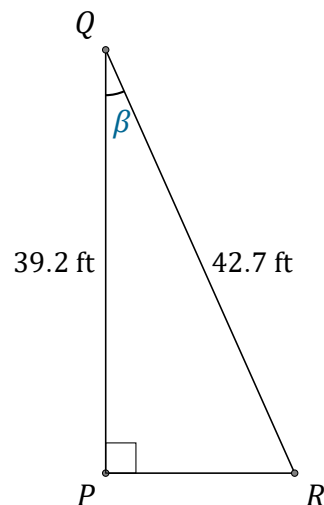
Name: \_\_\_\_\_

Date: \_\_\_\_\_

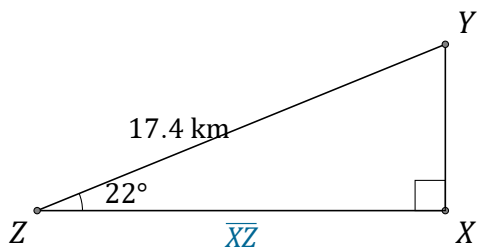
Calculate the angle and side values using the cosine ratio:  $\cos(\alpha) = \frac{A}{H}$



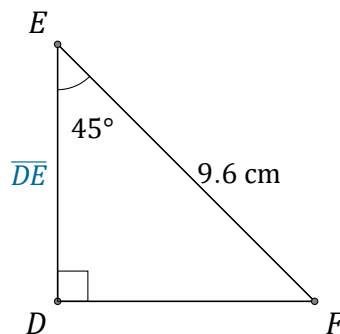
$$\alpha = \angle ACB = \underline{55.6^\circ}$$



$$\beta = \angle PQR = \underline{23.4^\circ}$$



$$\overline{XZ} = \underline{16.1 \text{ km}}$$



$$\overline{DE} = \underline{6.8 \text{ cm}}$$