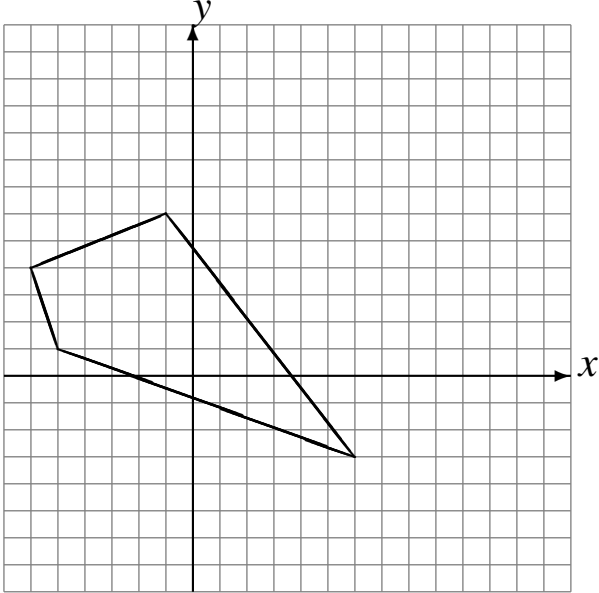


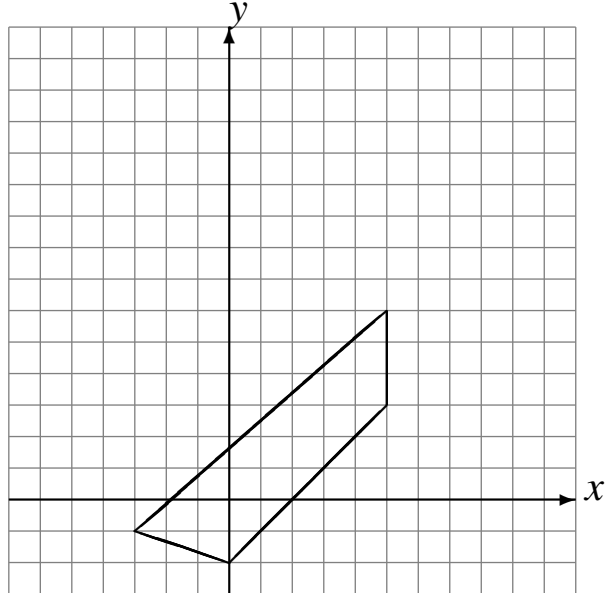
Translations (E)

Draw the intermediate and translated images.

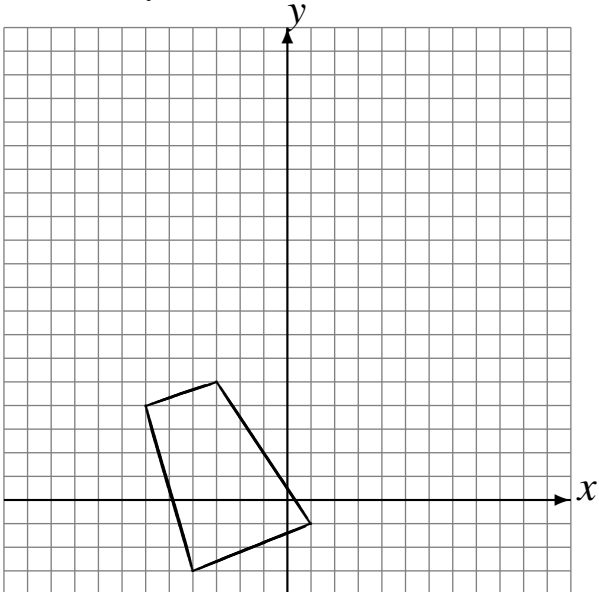
Translate by $(4, -1)$.
Translate by $(3, 0)$.
Translate by $(-1, 4)$.



Translate by $(-2, 6)$.
Translate by $(6, -2)$.
Translate by $(-6, 4)$.



Translate by $(6, 6)$.
Translate by $(-4, 2)$.
Translate by $(-4, 6)$.



Translate by $(-4, -2)$.
Translate by $(4, -2)$.
Translate by $(4, 2)$.

