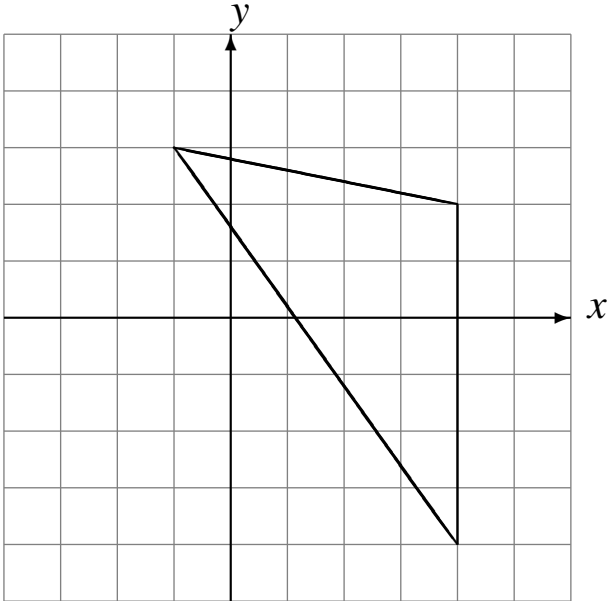


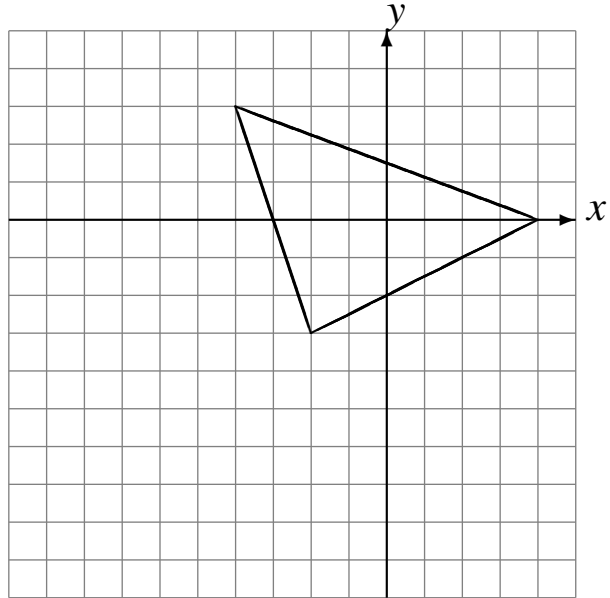
# Translations (J)

Draw each translated image.

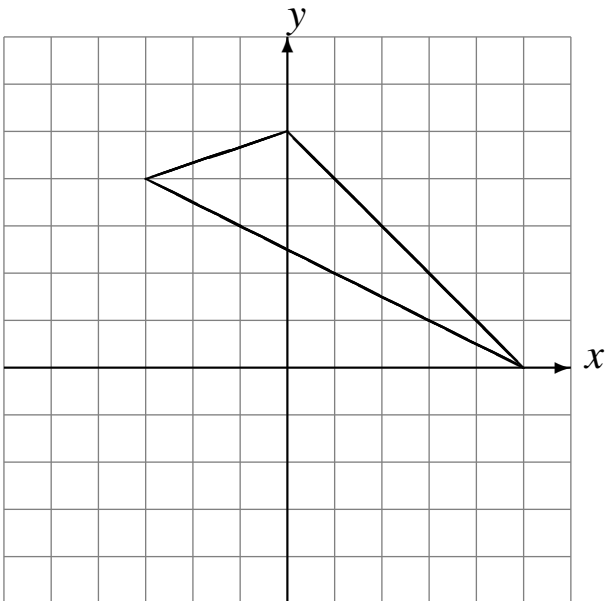
Translate by  $(-1, 1)$ .



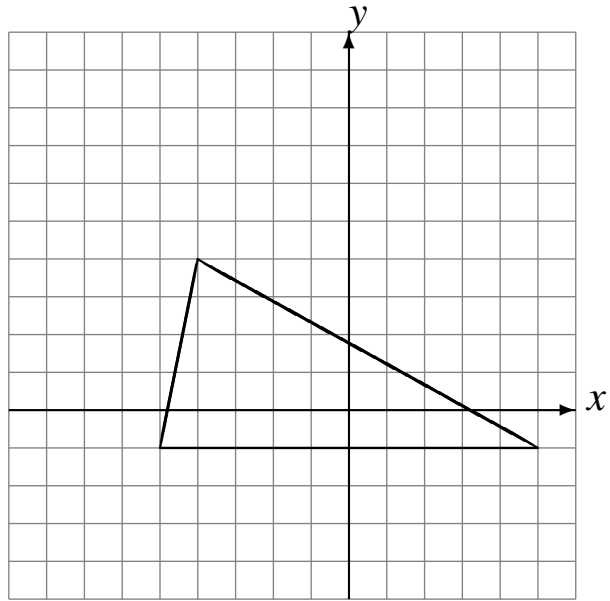
Translate by  $(-5, -6)$ .



Translate by  $(-2, -3)$ .



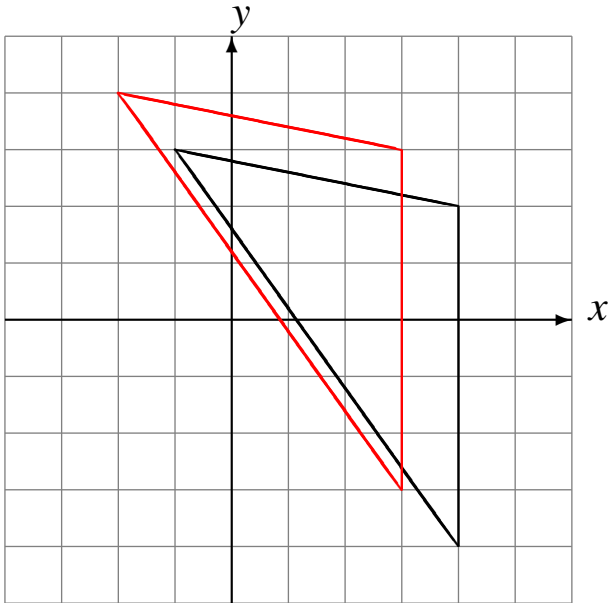
Translate by  $(-3, 1)$ .



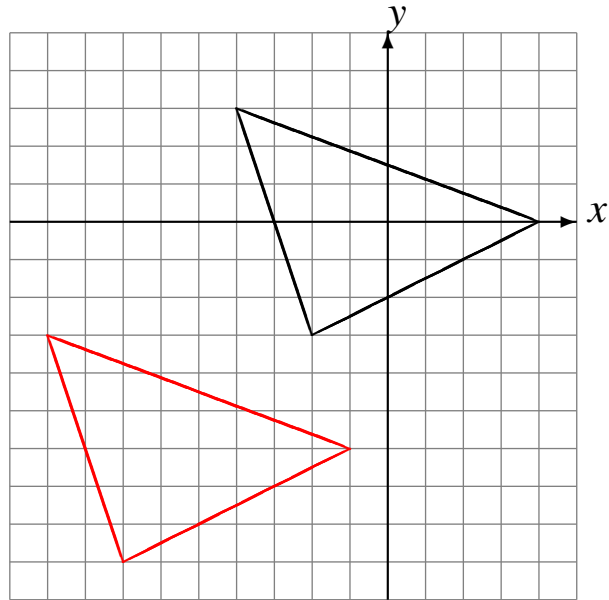
# Translations (J) Answers

Draw each translated image.

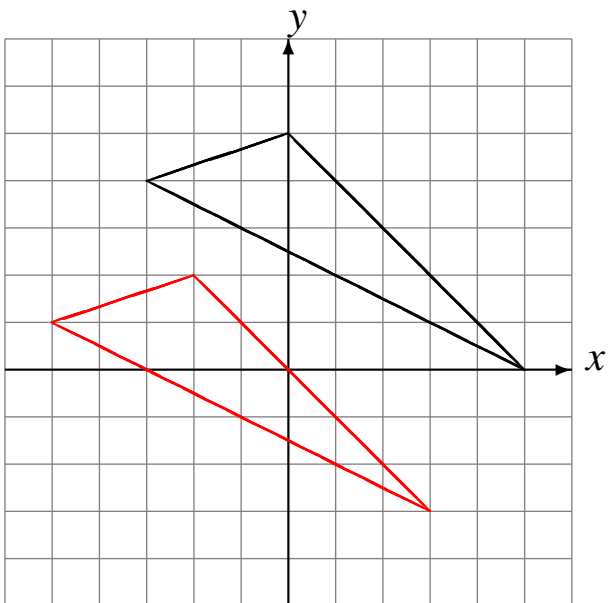
Translate by  $(-1, 1)$ .



Translate by  $(-5, -6)$ .



Translate by  $(-2, -3)$ .



Translate by  $(-3, 1)$ .

