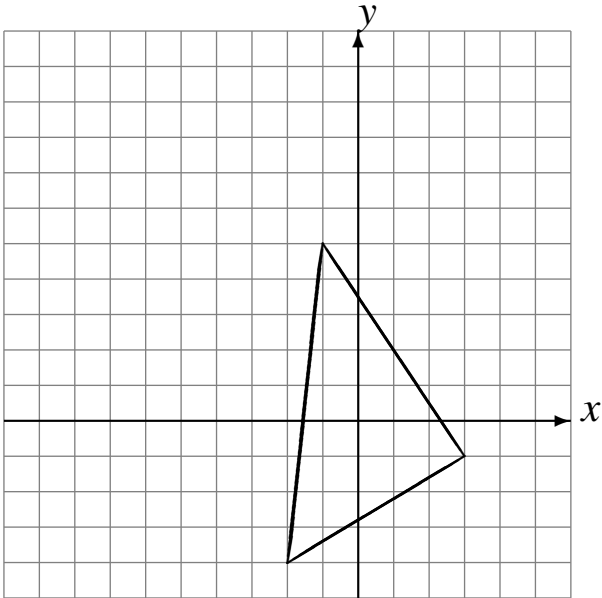


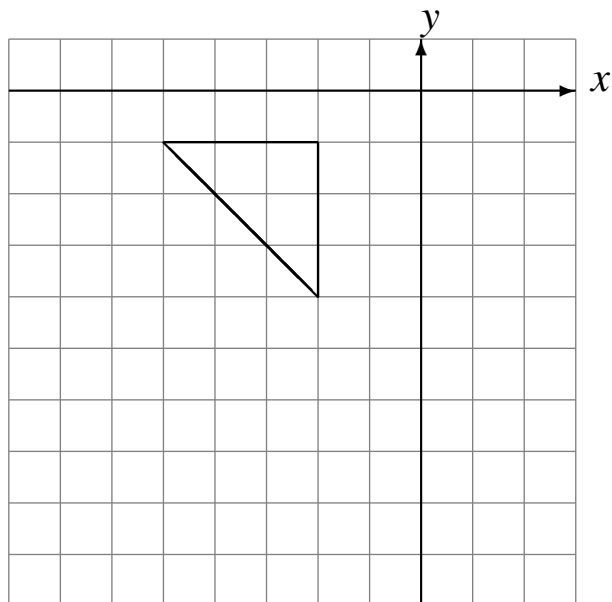
Translations (C)

Draw each translated image.

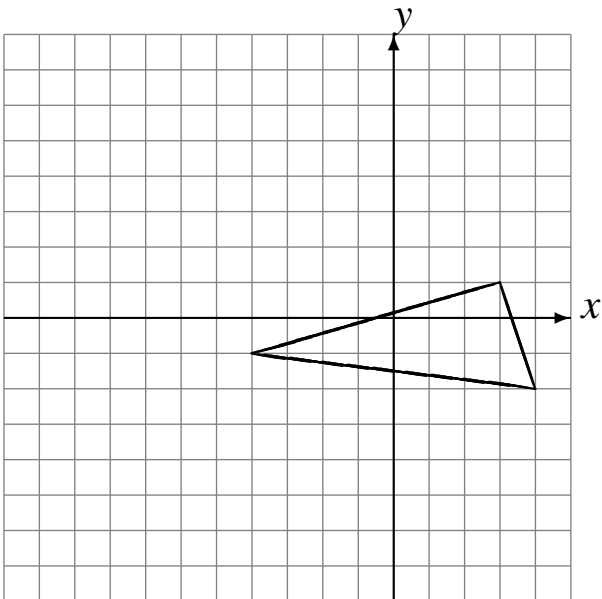
Translate by $(-6, 5)$.



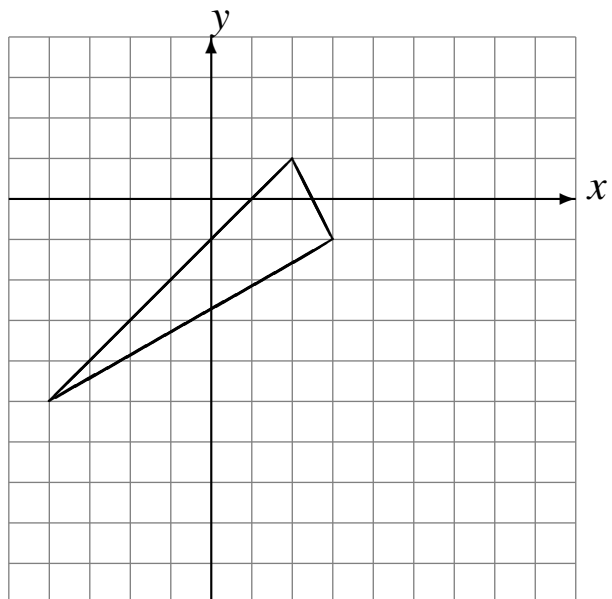
Translate by $(-1, -5)$.



Translate by $(-6, 1)$.



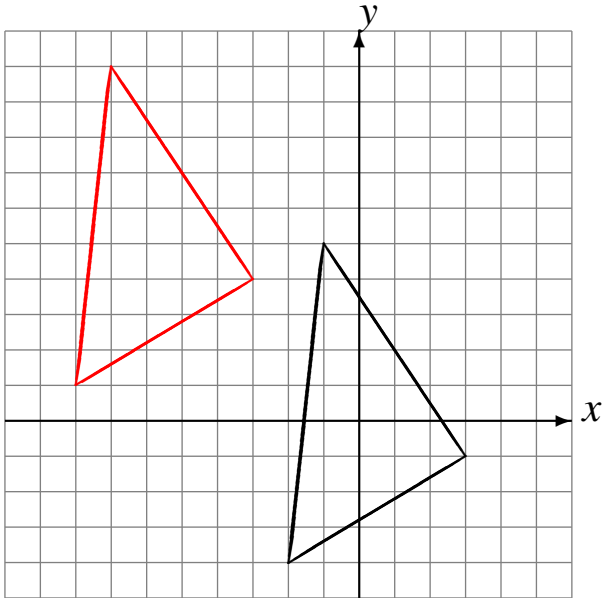
Translate by $(5, -3)$.



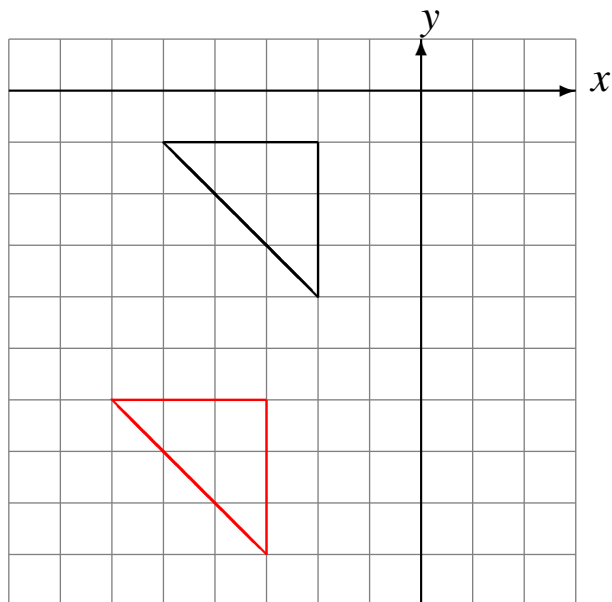
Translations (C) Answers

Draw each translated image.

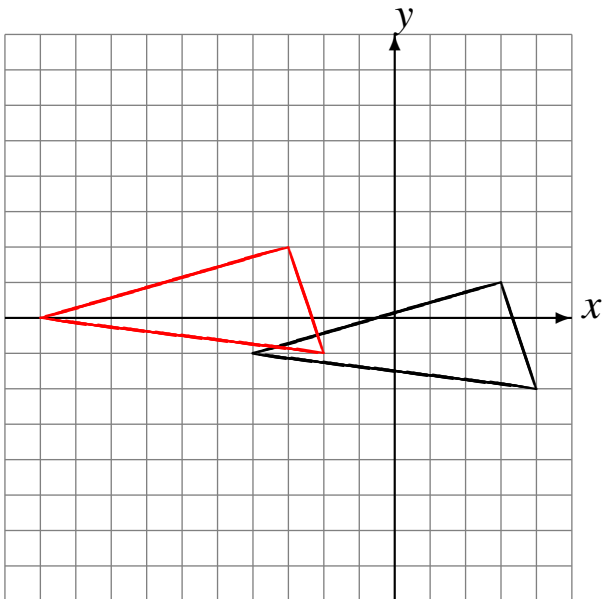
Translate by $(-6, 5)$.



Translate by $(-1, -5)$.



Translate by $(-6, 1)$.



Translate by $(5, -3)$.

