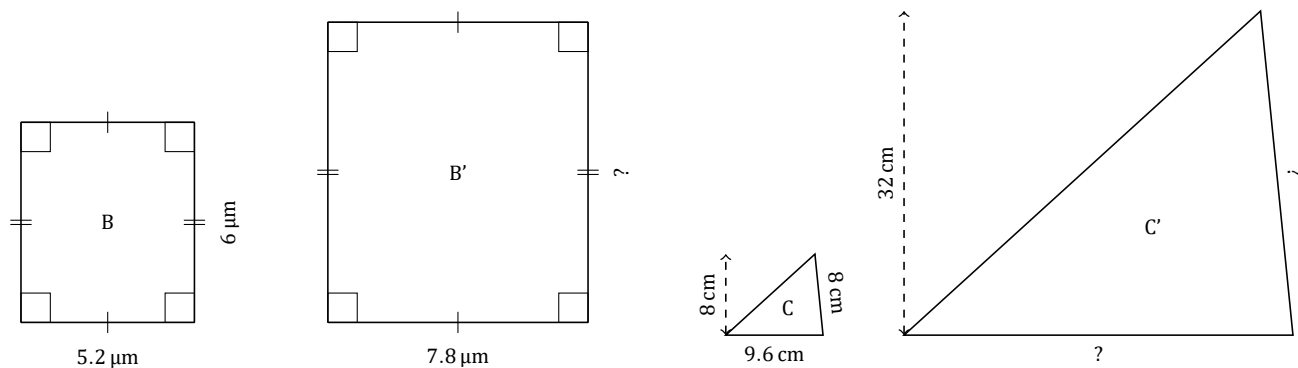
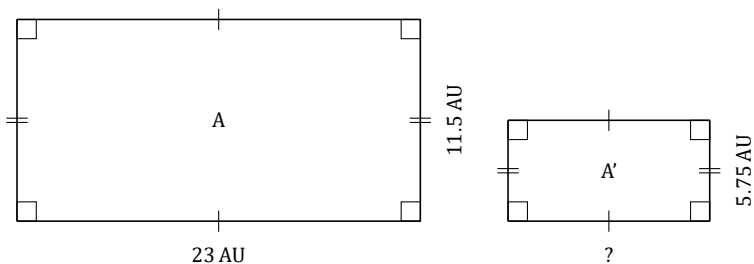


Scale Factor (J)

Name: _____

Date: _____

Determine the scale factor for each pair of shapes and label the missing lengths.



Scale Factor (J) Answers

Name: _____

Date: _____

Determine the scale factor for each pair of shapes and label the missing lengths.

