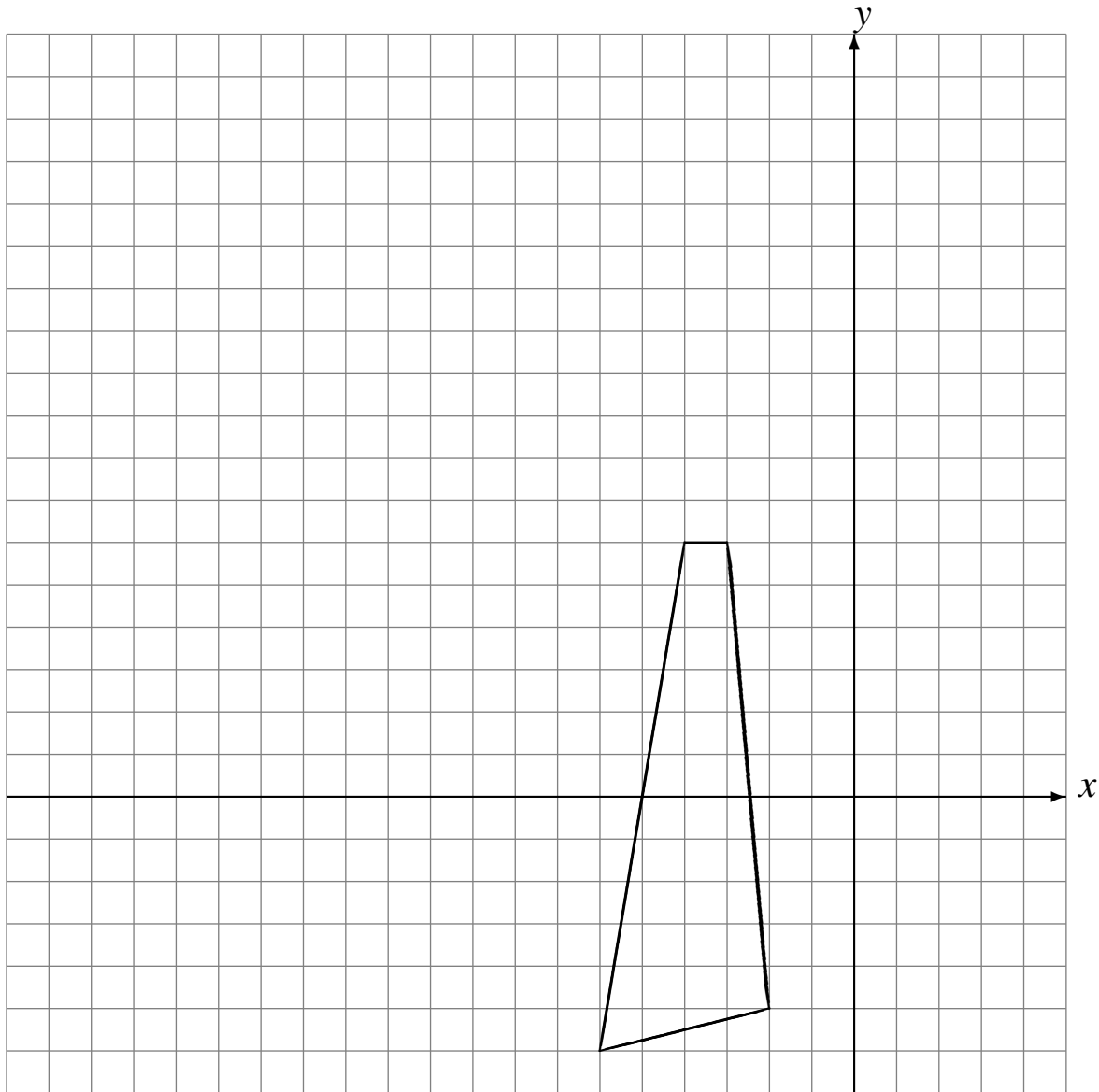


# Rotations (A)

Draw the intermediate and rotated images.

Rotate  $90^\circ$  counterclockwise about  $(-5, -4)$ .

Rotate  $90^\circ$  clockwise about  $(0, 2)$ .

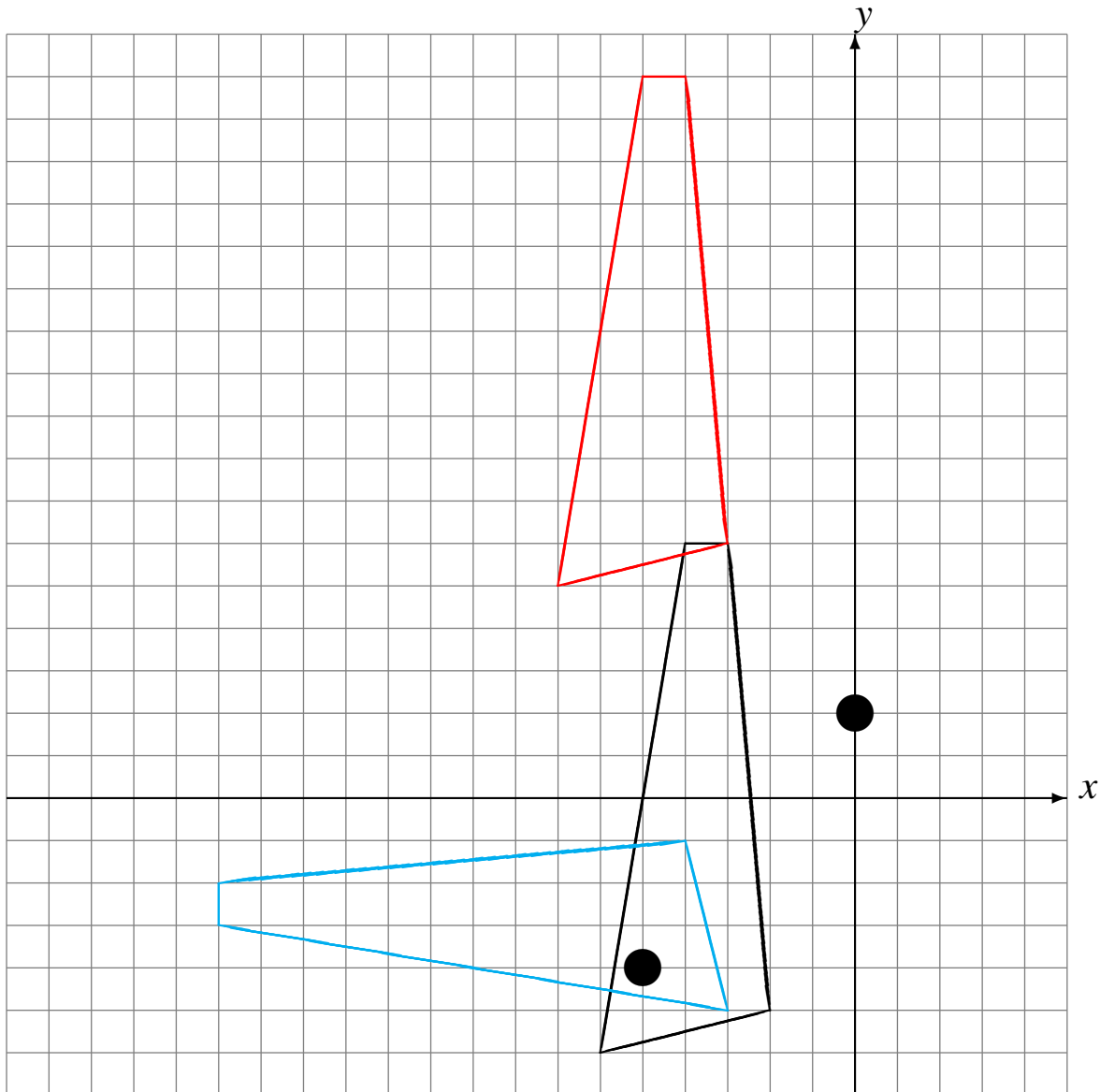


# Rotations (A) Answers

Draw the intermediate and rotated images.

Rotate  $90^\circ$  counterclockwise about  $(-5, -4)$ .

Rotate  $90^\circ$  clockwise about  $(0, 2)$ .

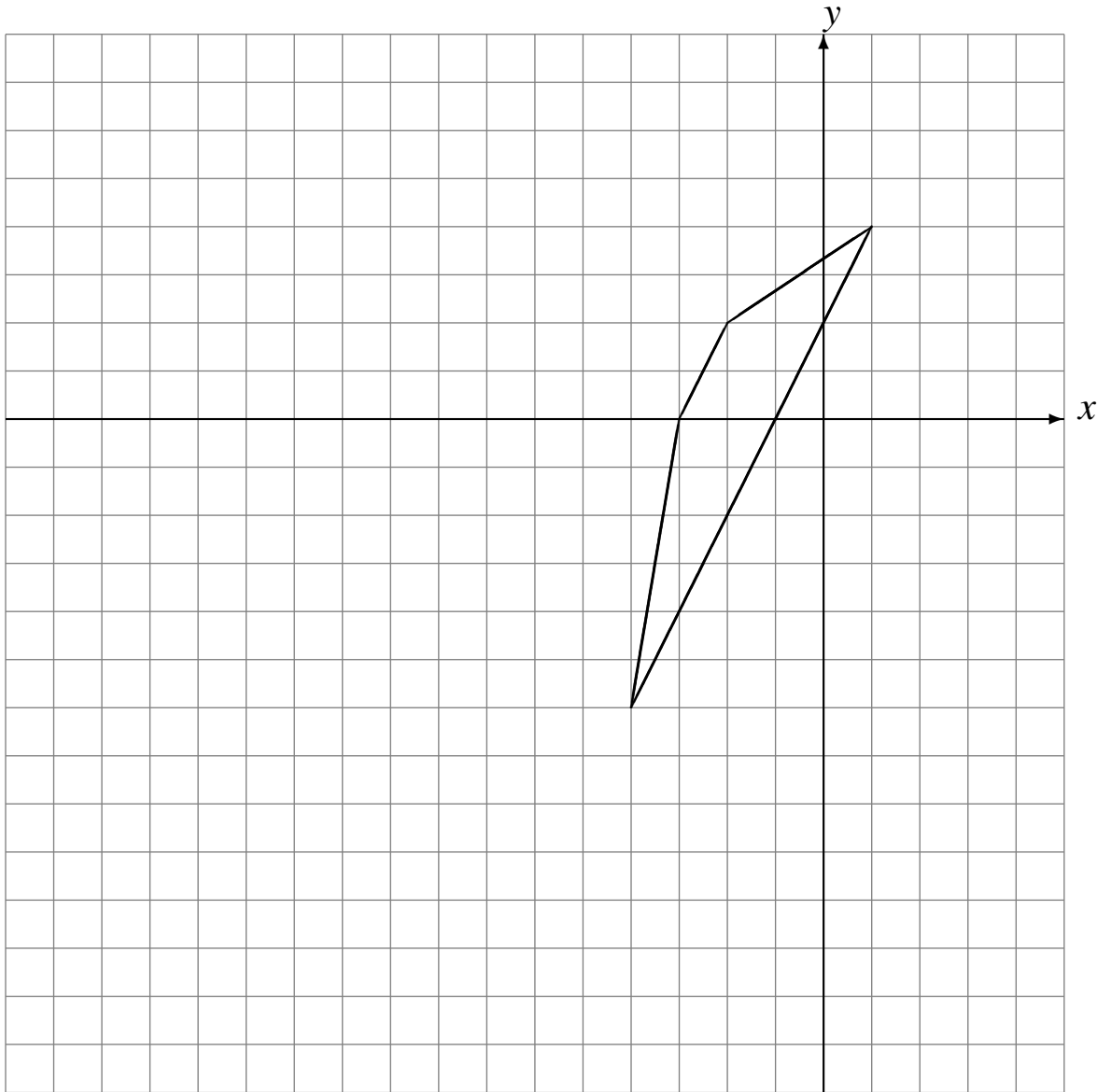


## Rotations (B)

Draw the intermediate and rotated images.

Rotate  $90^\circ$  clockwise about  $(-2, 5)$ .

Rotate  $90^\circ$  counterclockwise about  $(0, 0)$ .

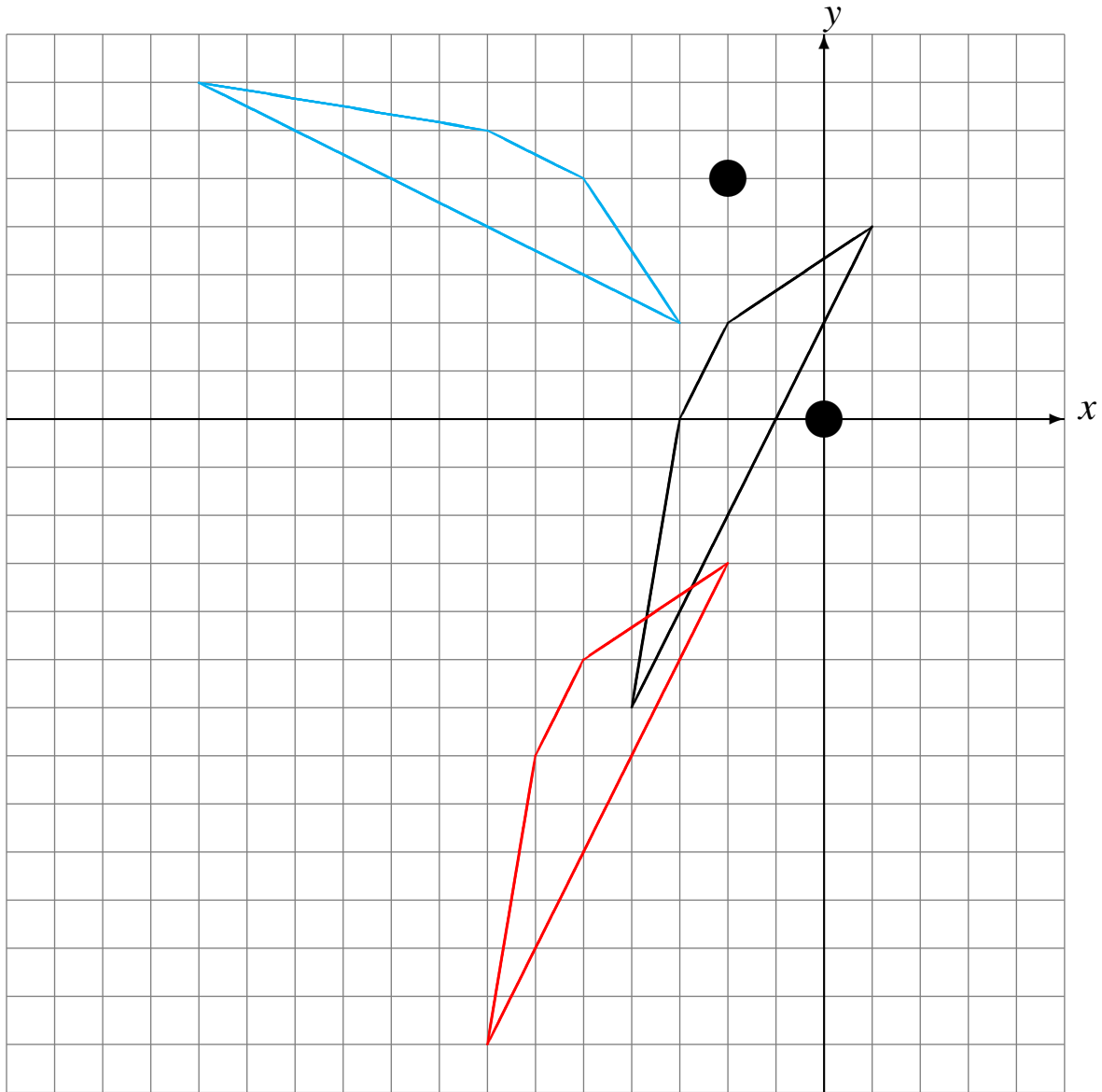


# Rotations (B) Answers

Draw the intermediate and rotated images.

Rotate  $90^\circ$  clockwise about  $(-2, 5)$ .

Rotate  $90^\circ$  counterclockwise about  $(0, 0)$ .

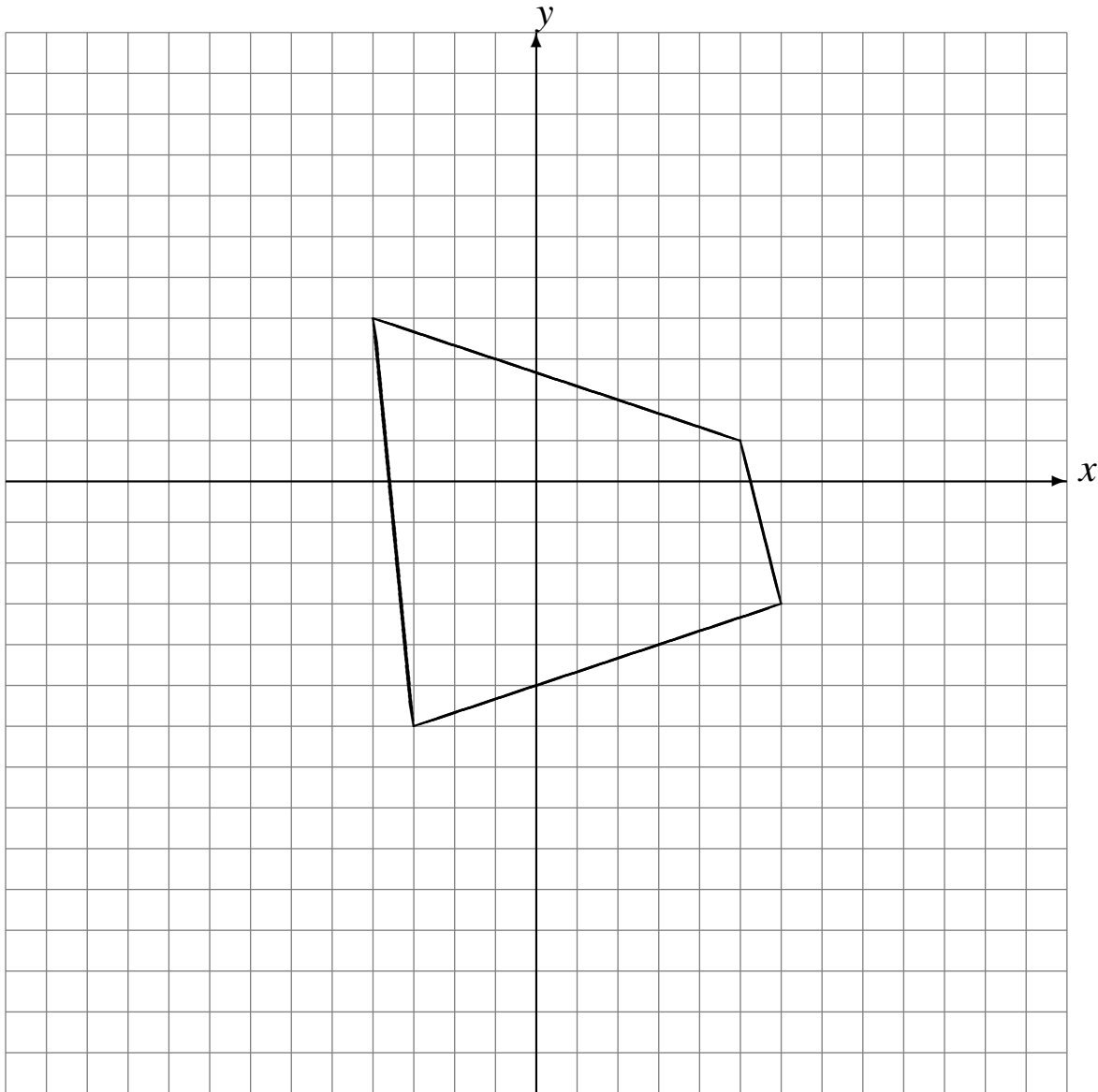


## Rotations (C)

Draw the intermediate and rotated images.

Rotate  $90^\circ$  counterclockwise about  $(0, 4)$ .

Rotate  $180^\circ$  about  $(0, -2)$ .

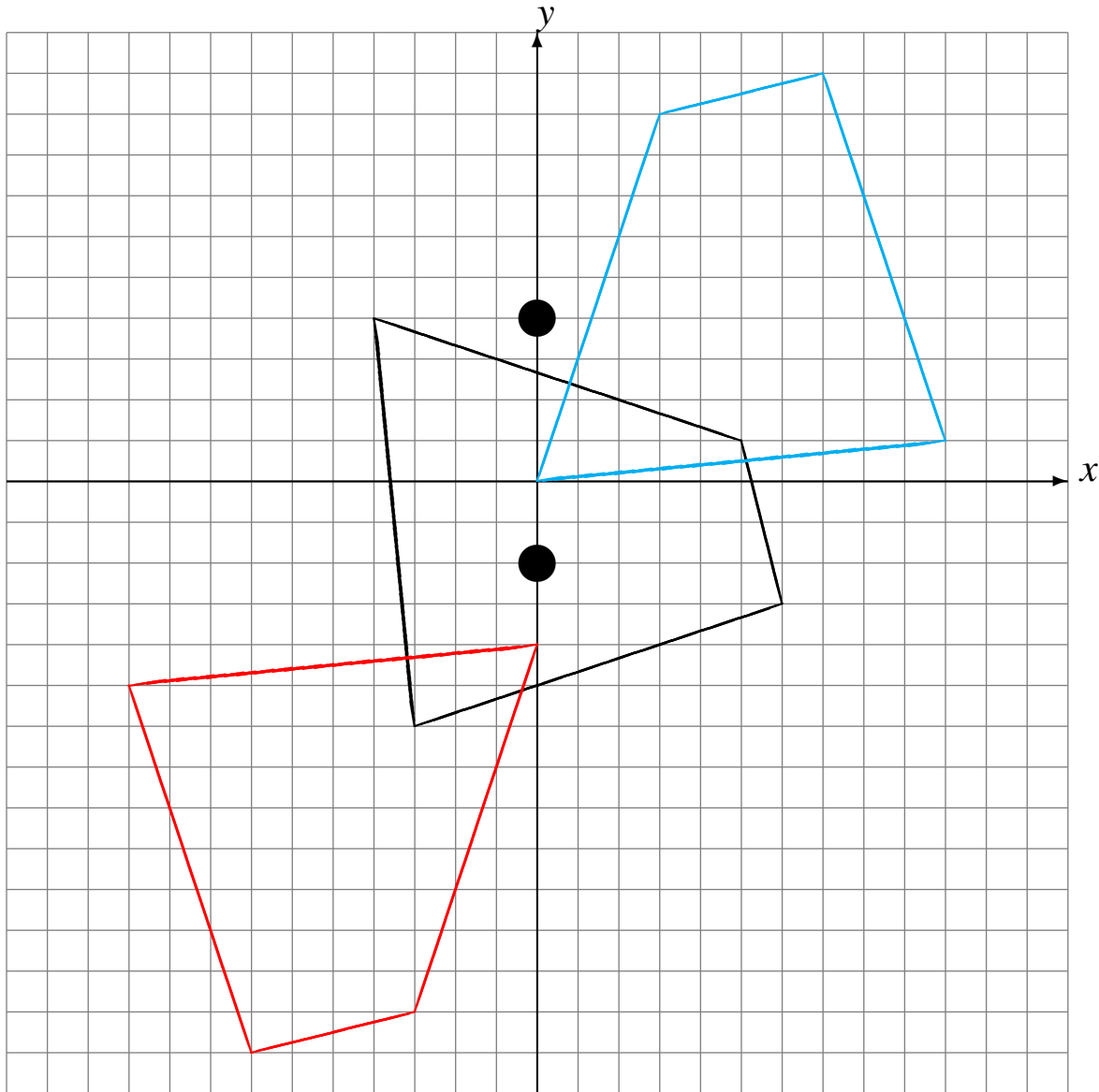


# Rotations (C) Answers

Draw the intermediate and rotated images.

Rotate  $90^\circ$  counterclockwise about  $(0, 4)$ .

Rotate  $180^\circ$  about  $(0, -2)$ .

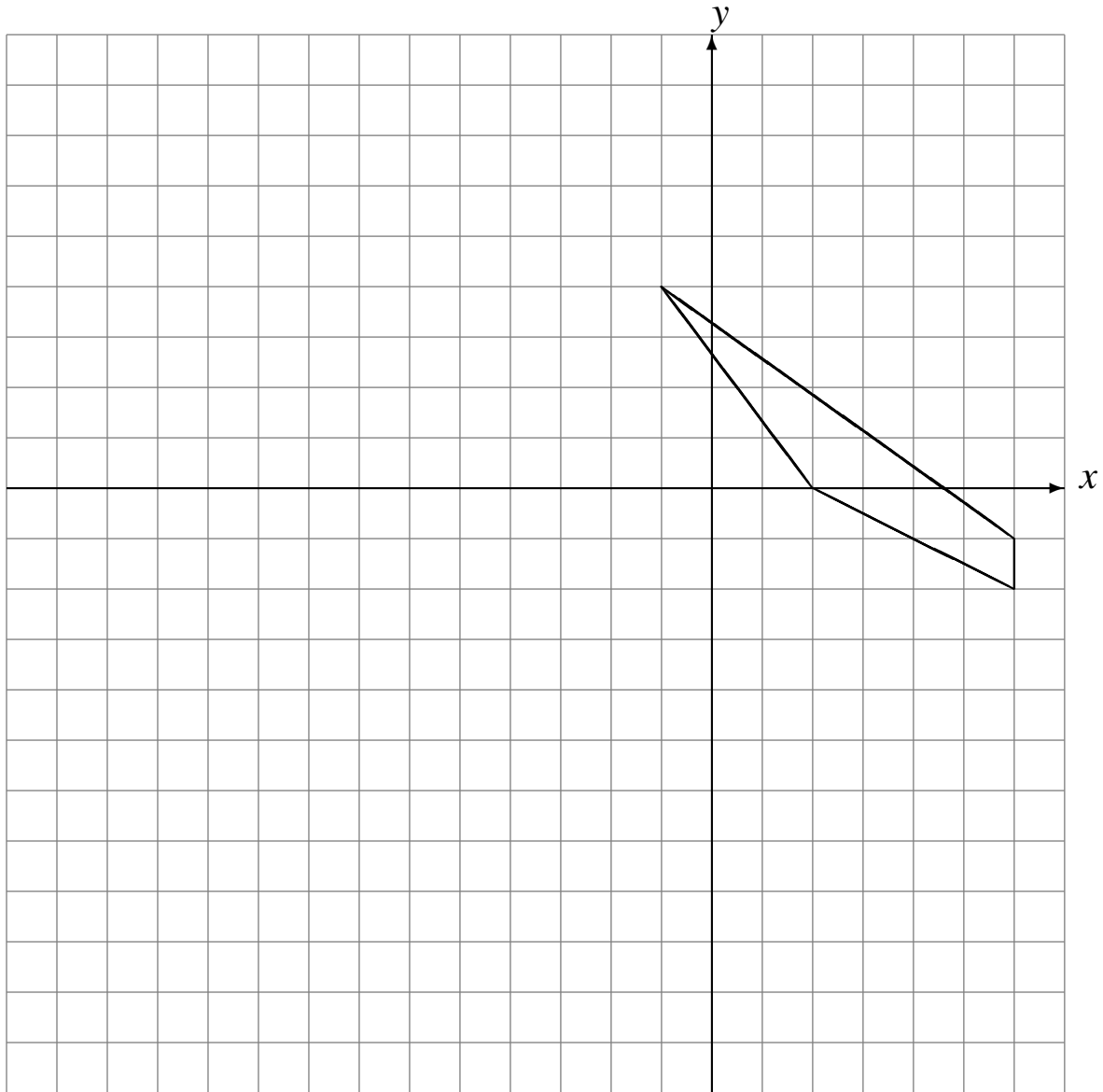


# Rotations (D)

Draw the intermediate and rotated images.

Rotate  $180^\circ$  about  $(-1, -3)$ .

Rotate  $90^\circ$  clockwise about  $(-2, 1)$ .

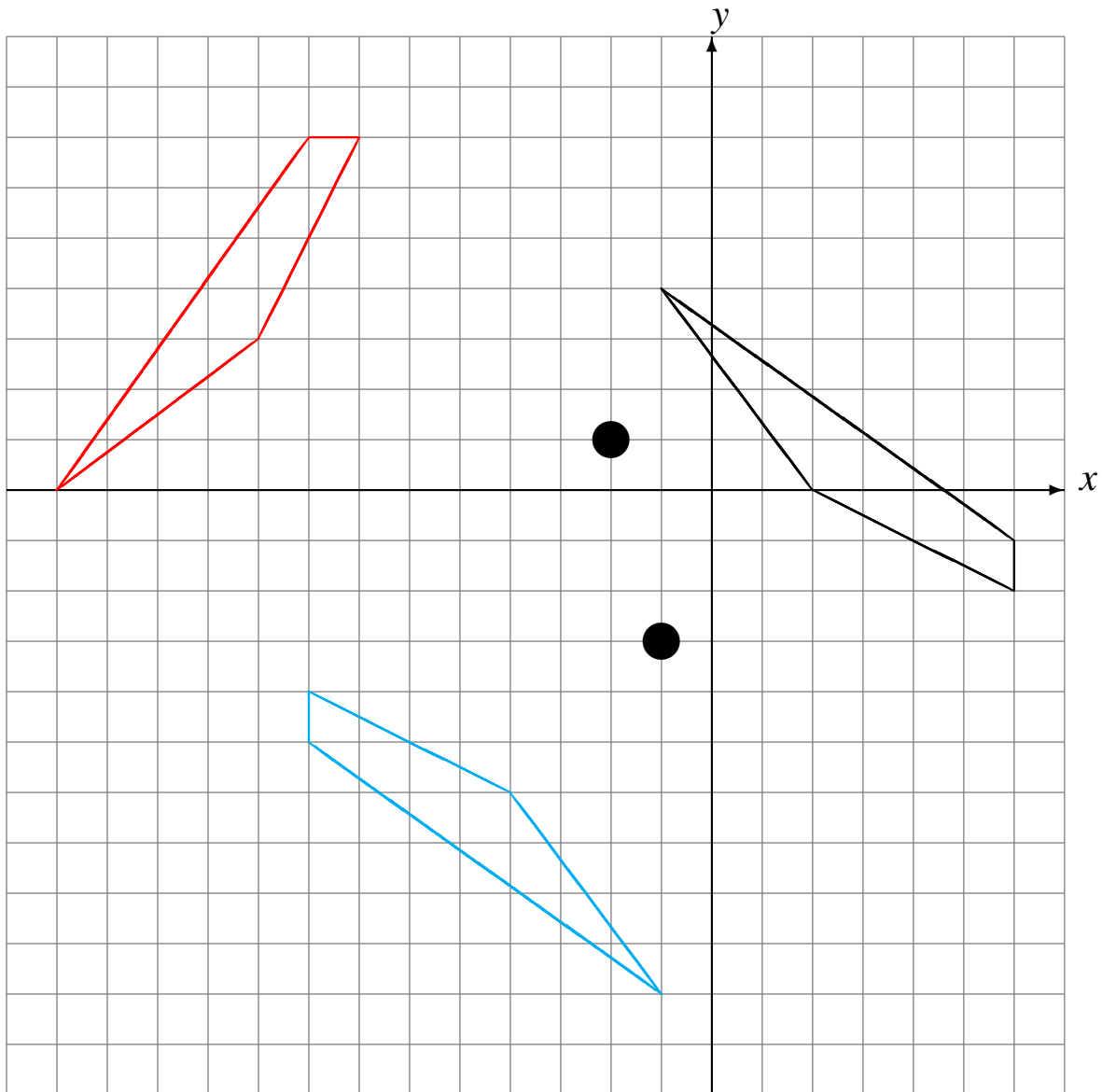


# Rotations (D) Answers

Draw the intermediate and rotated images.

Rotate  $180^\circ$  about  $(-1, -3)$ .

Rotate  $90^\circ$  clockwise about  $(-2, 1)$ .



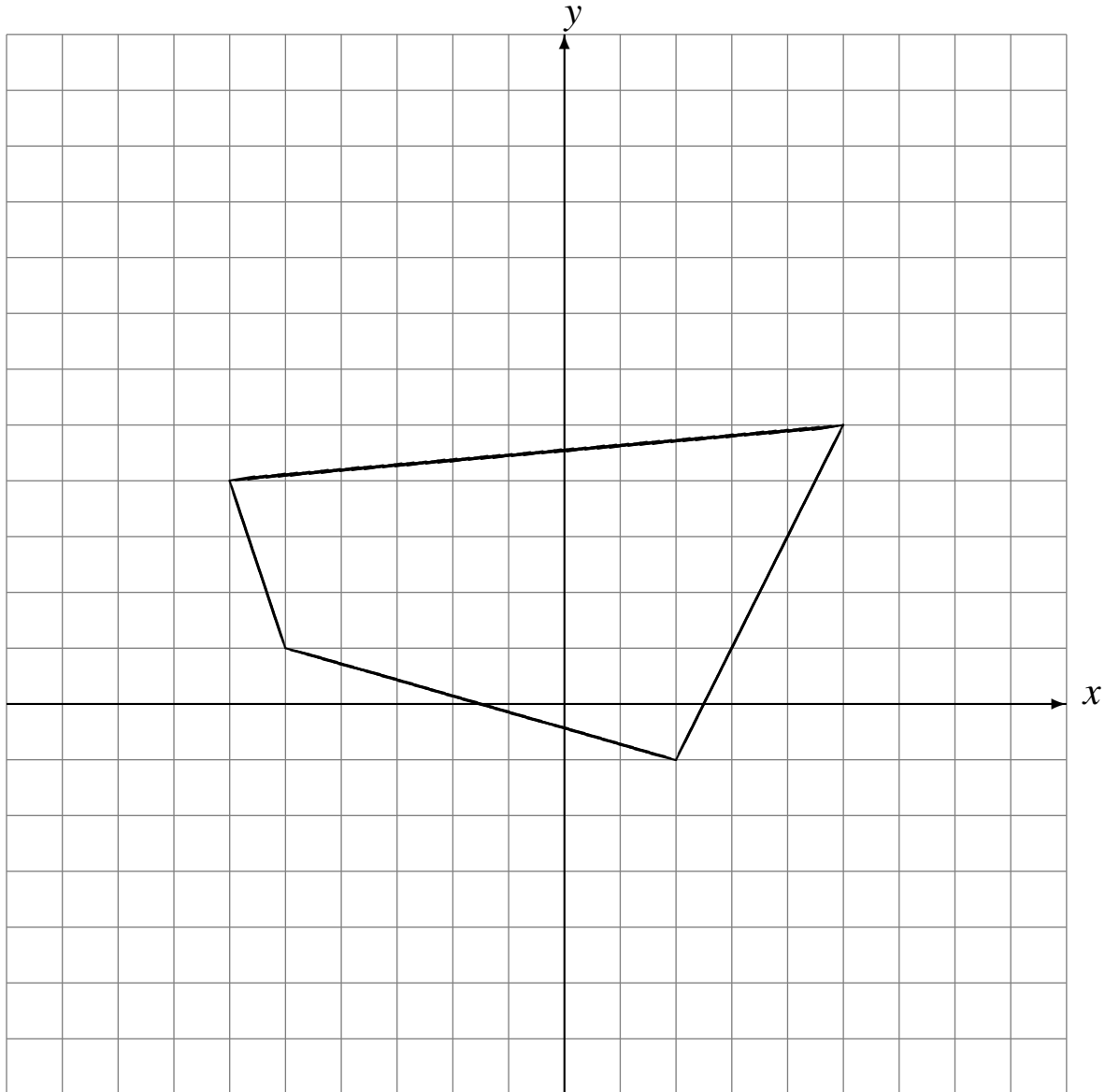


# Rotations (E)

Draw the intermediate and rotated images.

Rotate  $180^\circ$  about  $(1, 1)$ .

Rotate  $90^\circ$  counterclockwise about  $(-3, -3)$ .

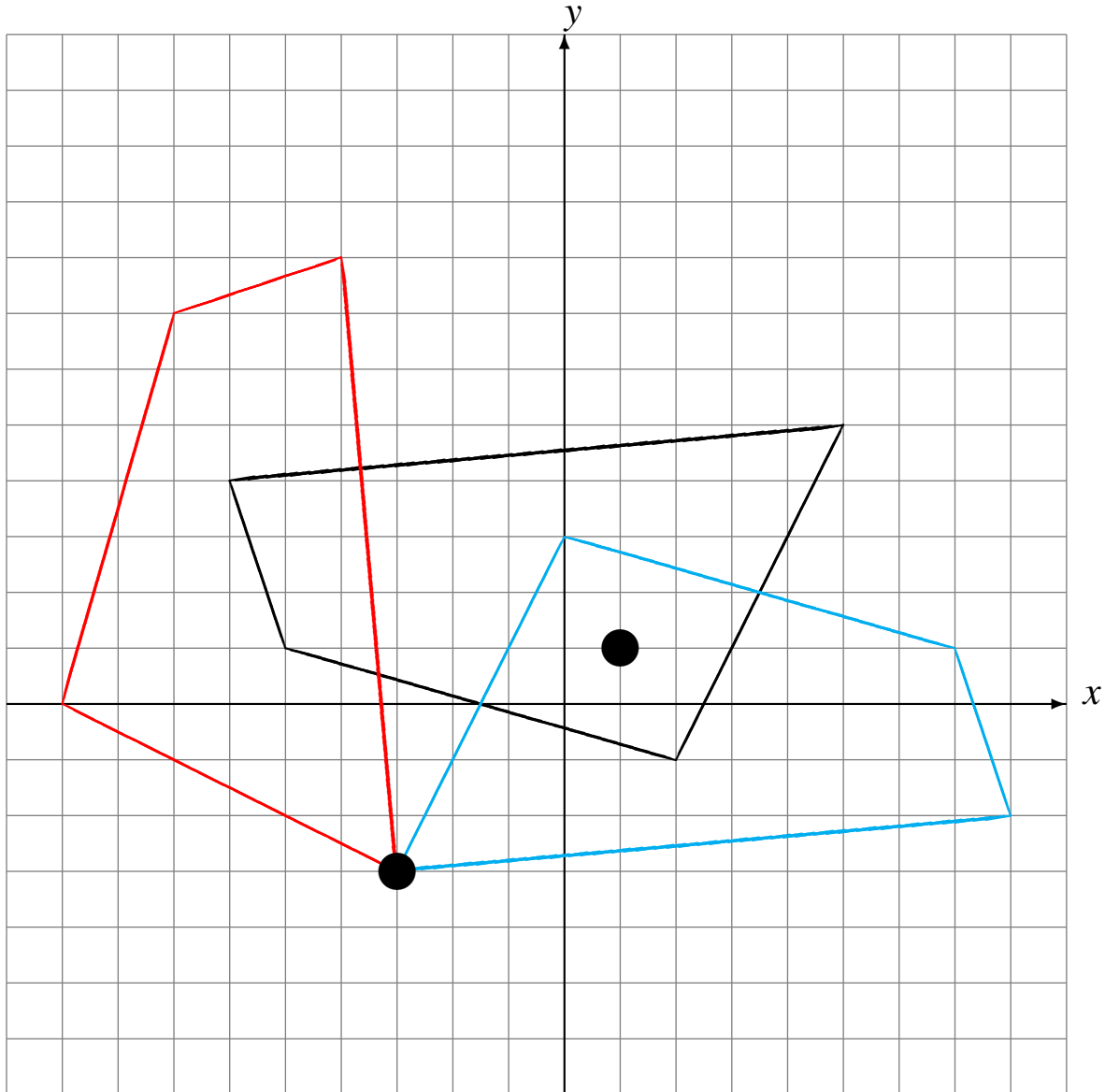


# Rotations (E) Answers

Draw the intermediate and rotated images.

Rotate  $180^\circ$  about  $(1, 1)$ .

Rotate  $90^\circ$  counterclockwise about  $(-3, -3)$ .

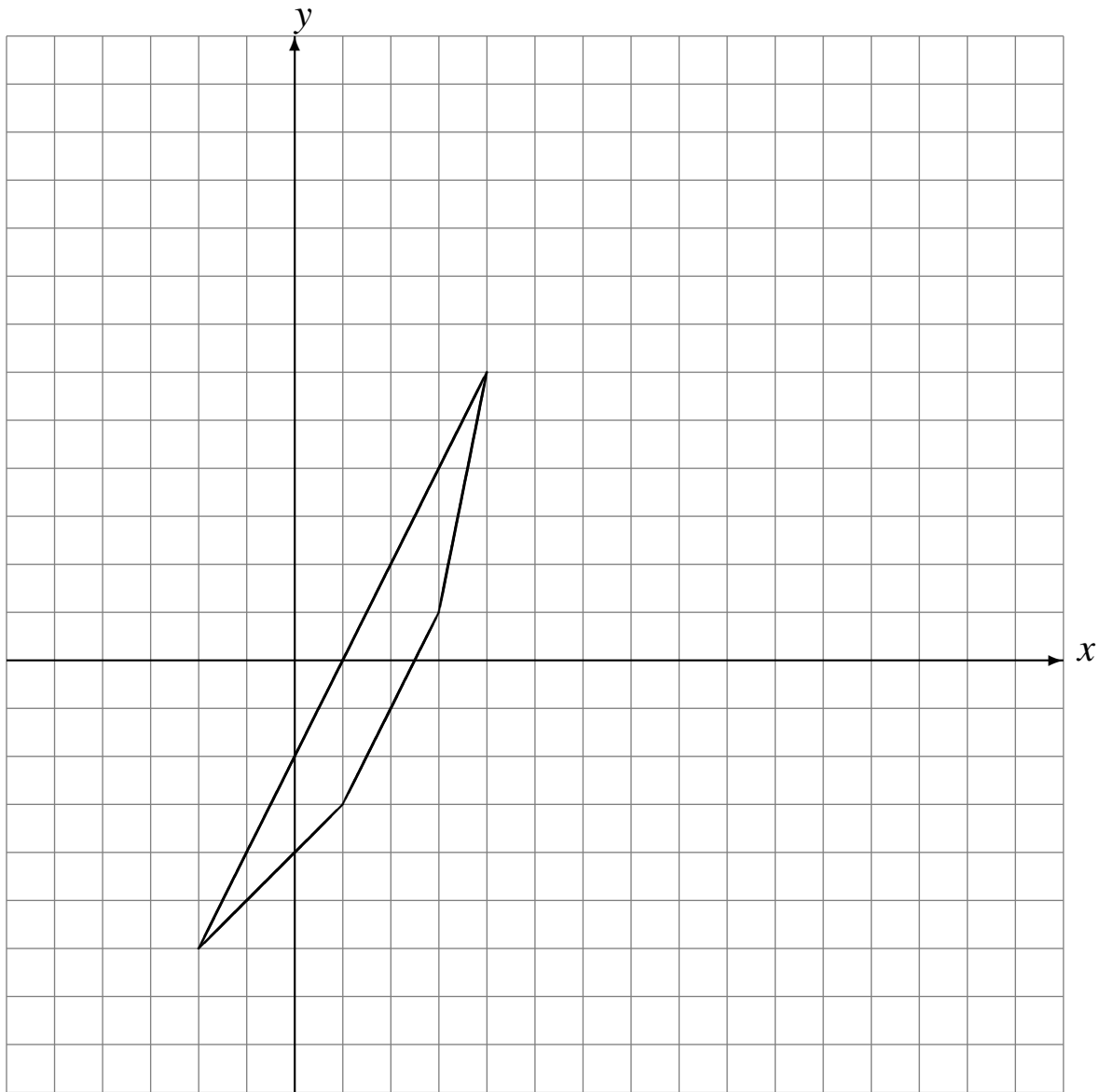


# Rotations (F)

Draw the intermediate and rotated images.

Rotate  $90^\circ$  clockwise about  $(4, -5)$ .

Rotate  $90^\circ$  counterclockwise about  $(1, -5)$ .

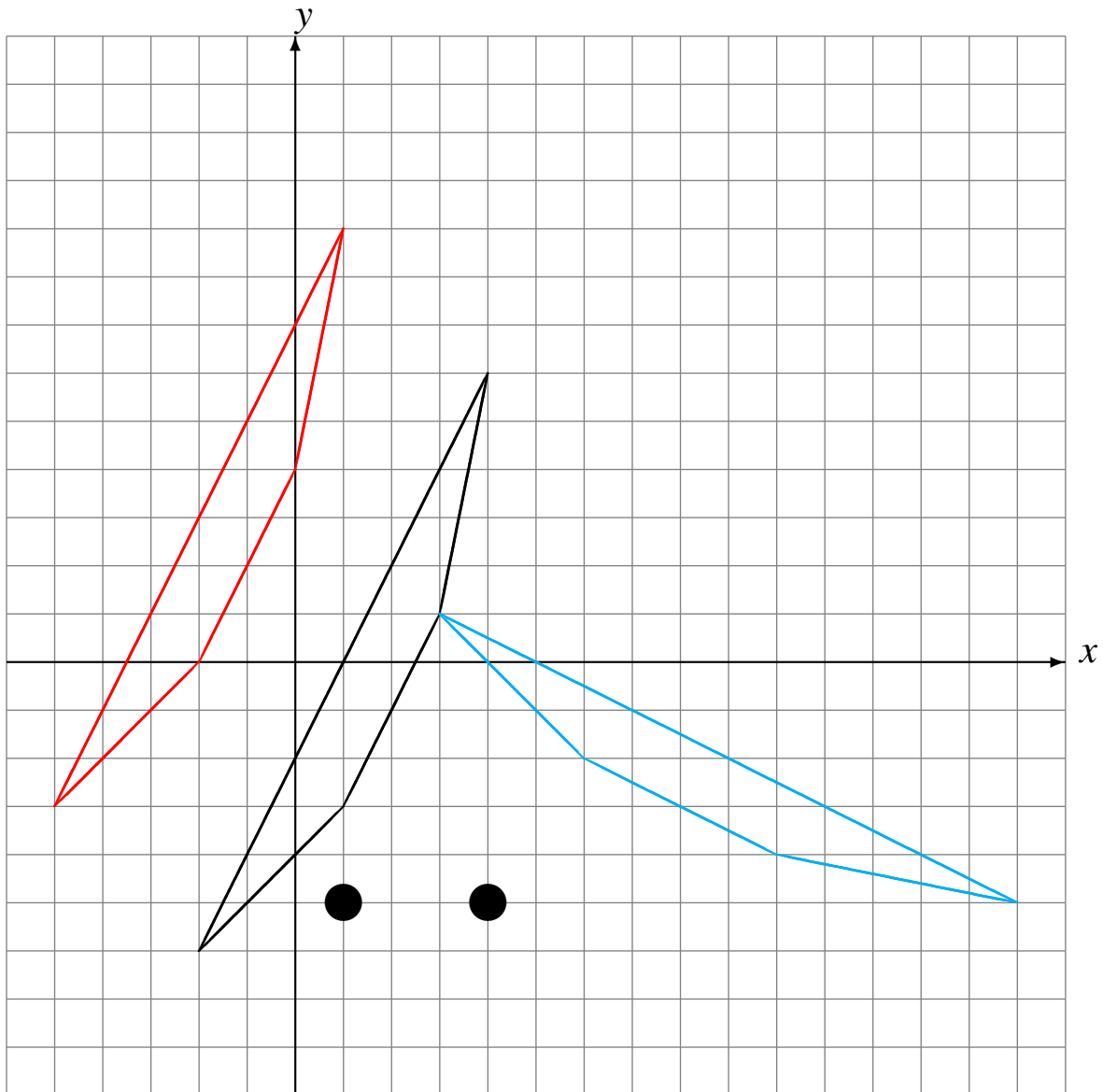


# Rotations (F) Answers

Draw the intermediate and rotated images.

Rotate  $90^\circ$  clockwise about  $(4, -5)$ .

Rotate  $90^\circ$  counterclockwise about  $(1, -5)$ .

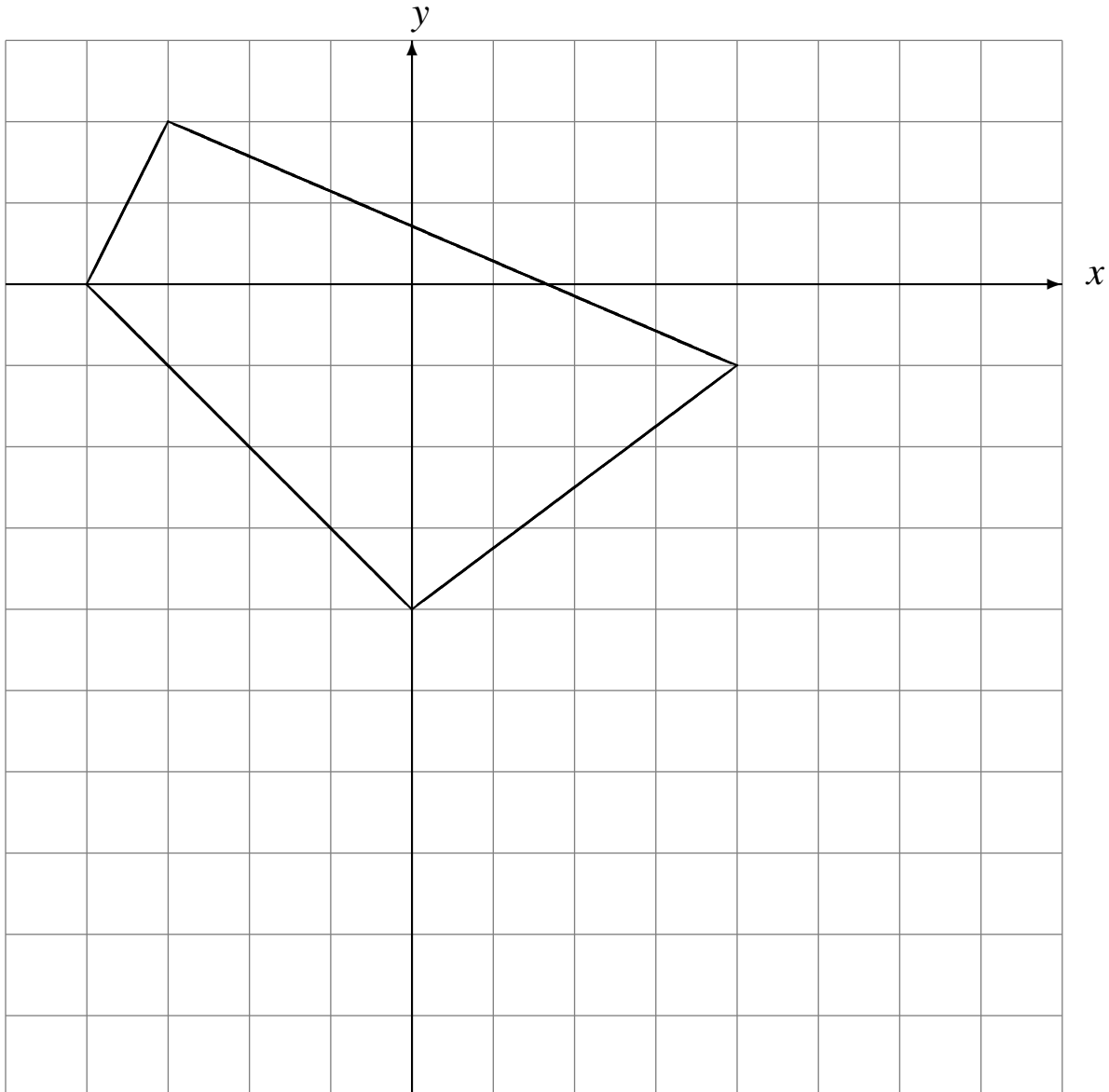


# Rotations (G)

Draw the intermediate and rotated images.

Rotate  $90^\circ$  clockwise about  $(0, -4)$ .

Rotate  $90^\circ$  clockwise about  $(2, -5)$ .

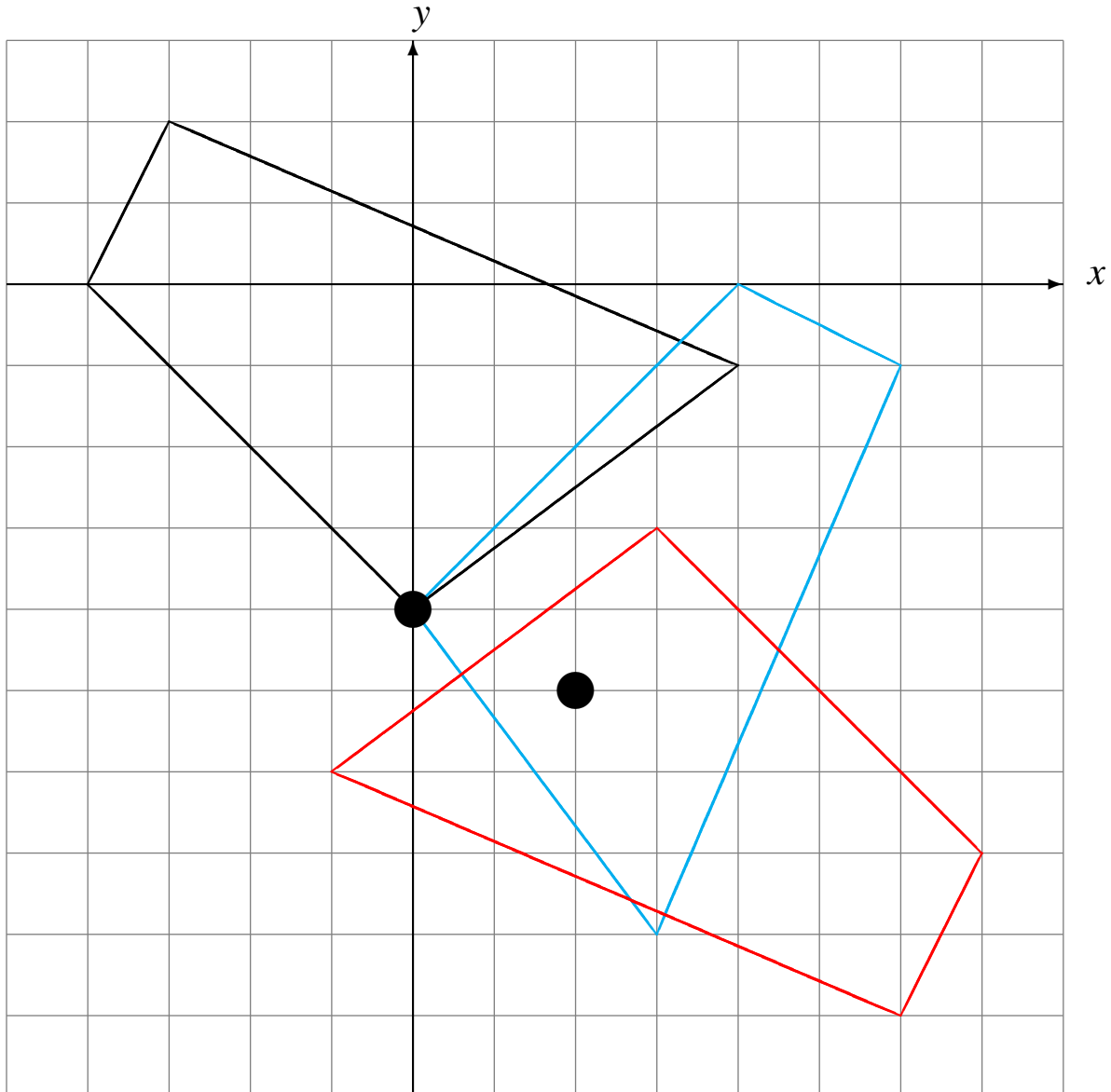


# Rotations (G) Answers

Draw the intermediate and rotated images.

Rotate  $90^\circ$  clockwise about  $(0, -4)$ .

Rotate  $90^\circ$  clockwise about  $(2, -5)$ .

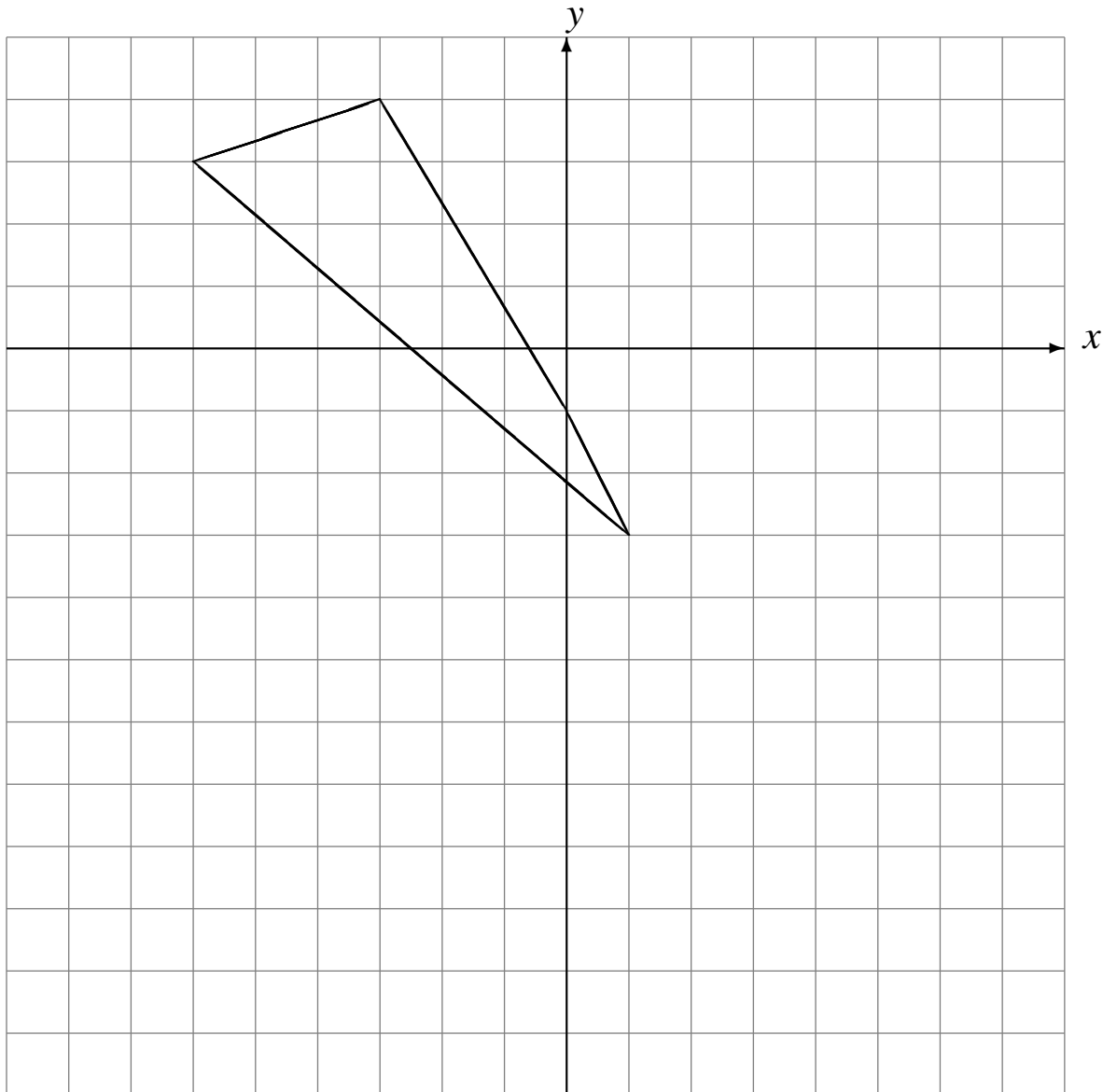


# Rotations (H)

Draw the intermediate and rotated images.

Rotate  $90^\circ$  clockwise about  $(-1, -1)$ .

Rotate  $90^\circ$  counterclockwise about  $(5, -3)$ .

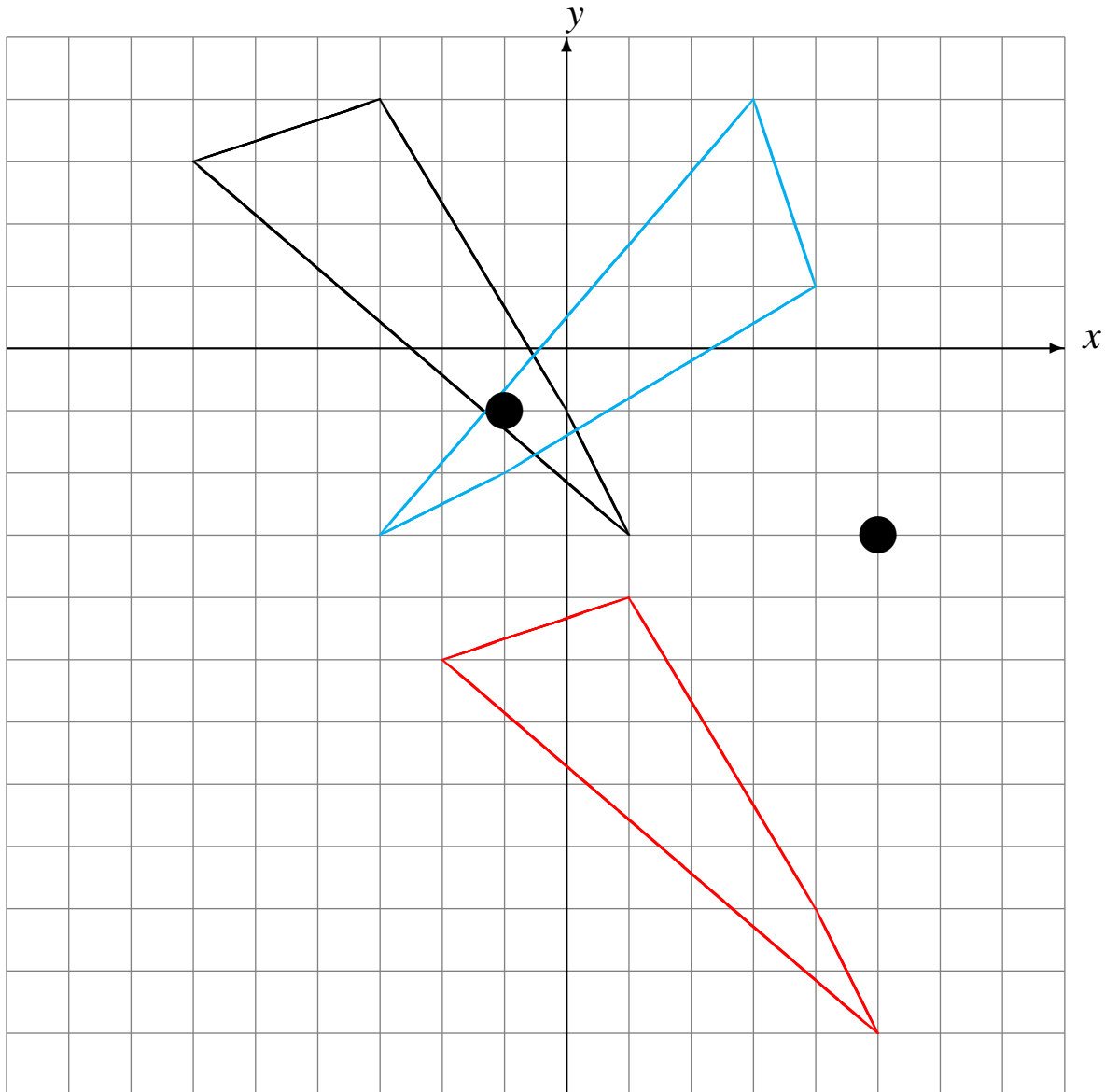


# Rotations (H) Answers

Draw the intermediate and rotated images.

Rotate  $90^\circ$  clockwise about  $(-1, -1)$ .

Rotate  $90^\circ$  counterclockwise about  $(5, -3)$ .



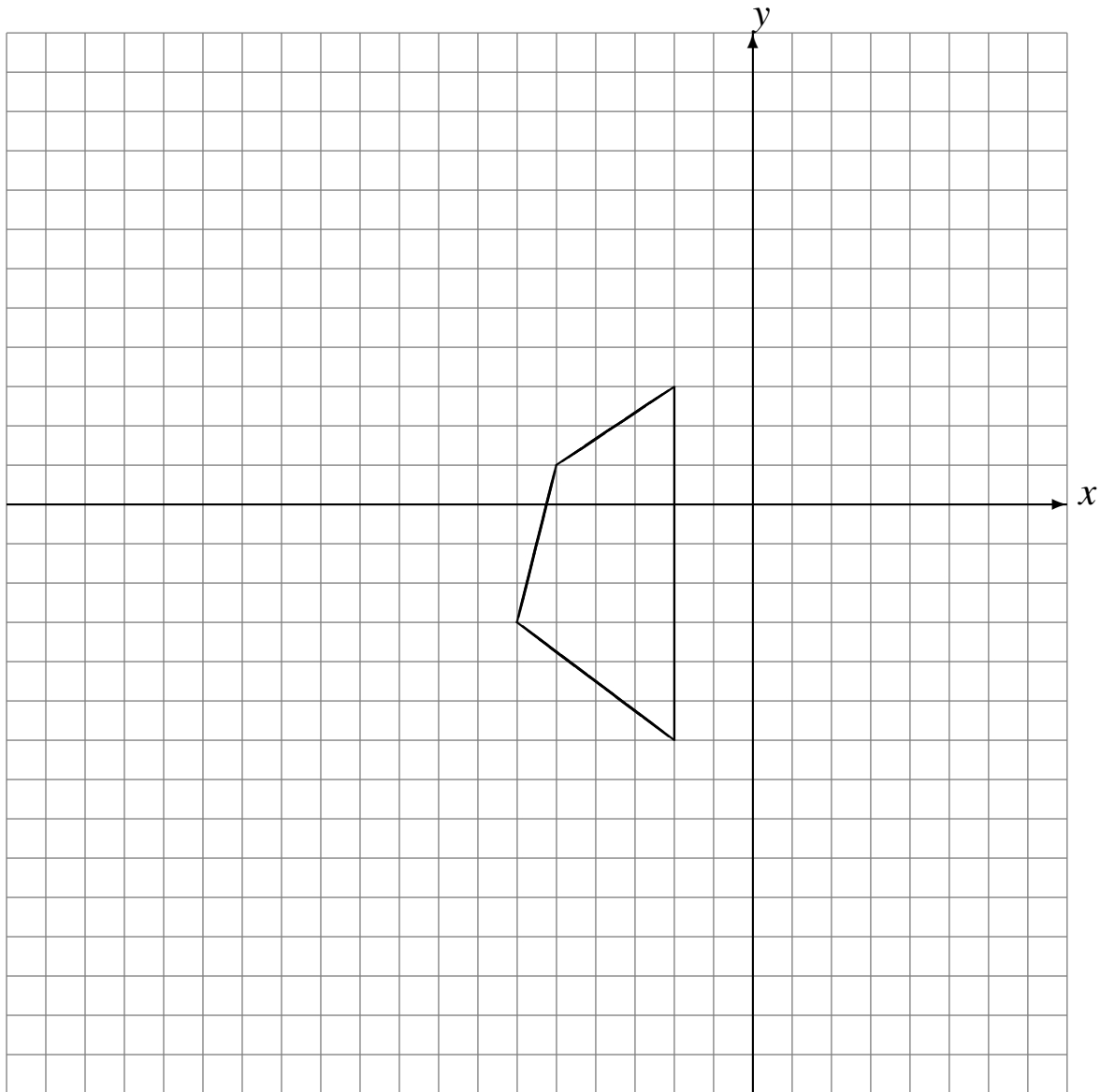


# Rotations (I)

Draw the intermediate and rotated images.

Rotate  $90^\circ$  clockwise about  $(1, 4)$ .

Rotate  $90^\circ$  counterclockwise about  $(2, -3)$ .

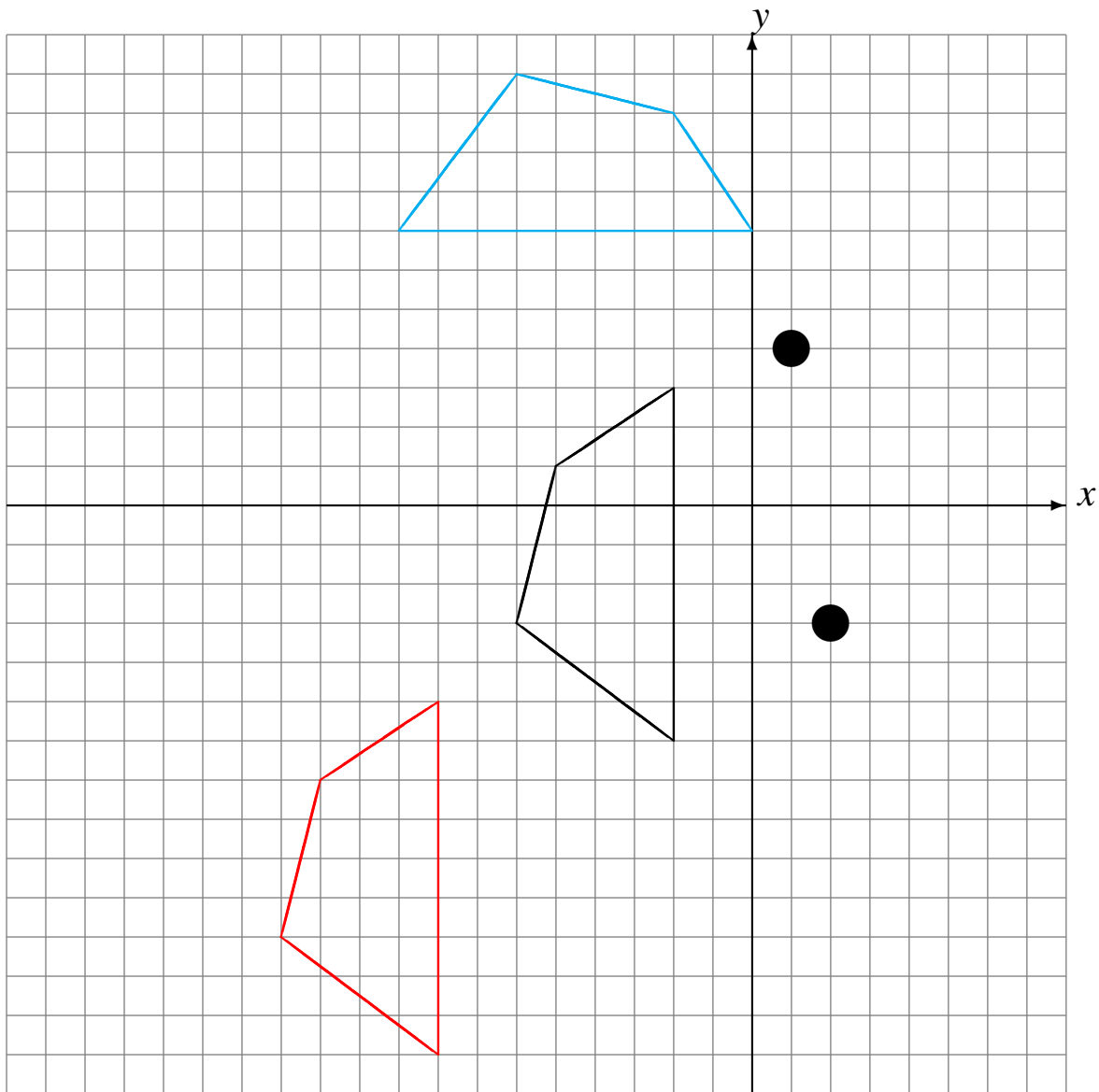


# Rotations (I) Answers

Draw the intermediate and rotated images.

Rotate  $90^\circ$  clockwise about  $(1, 4)$ .

Rotate  $90^\circ$  counterclockwise about  $(2, -3)$ .

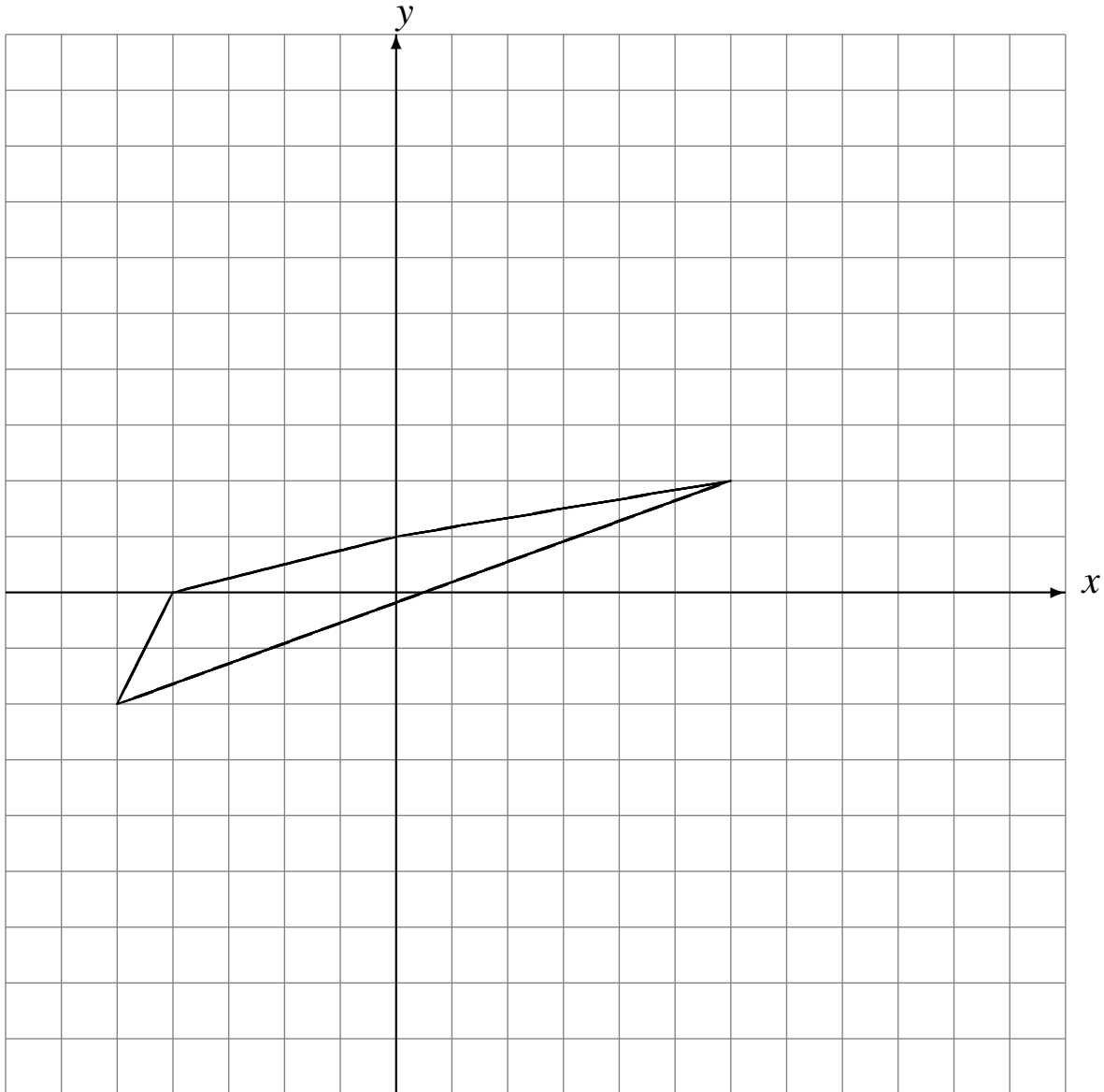


# Rotations (J)

Draw the intermediate and rotated images.

Rotate  $90^\circ$  clockwise about  $(-1, 3)$ .

Rotate  $90^\circ$  counterclockwise about  $(4, 3)$ .



# Rotations (J) Answers

Draw the intermediate and rotated images.

Rotate  $90^\circ$  clockwise about  $(-1, 3)$ .

Rotate  $90^\circ$  counterclockwise about  $(4, 3)$ .

