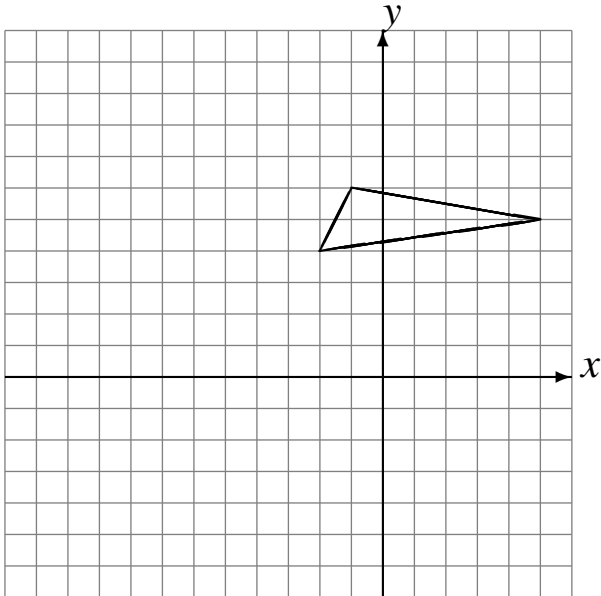


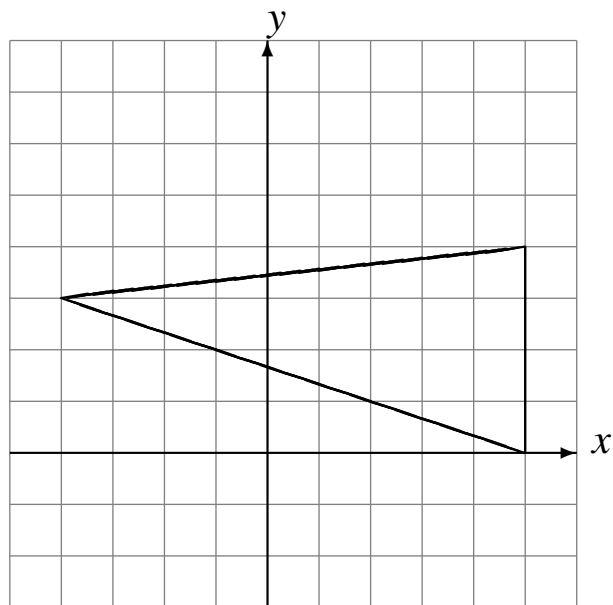
Rotations (E)

Draw the rotated image.

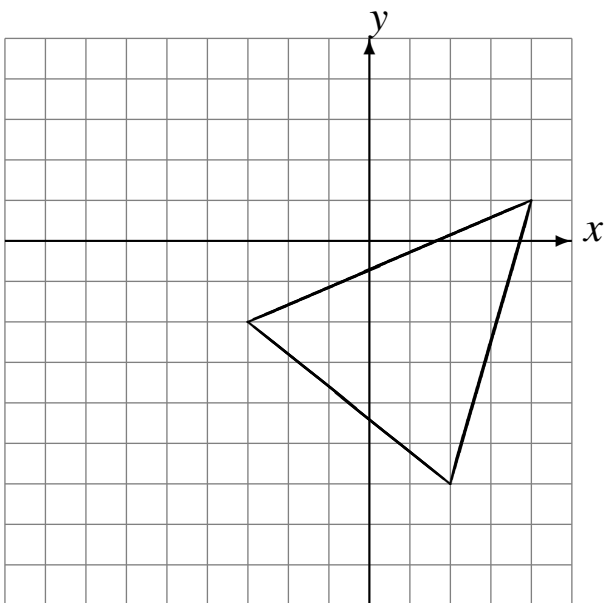
Rotate 180° about $(-3, 2)$.



Rotate 90° clockwise about $(2, 1)$.



Rotate 90° counterclockwise about $(-2, -5)$.



Rotate 90° clockwise about $(3, 2)$.

