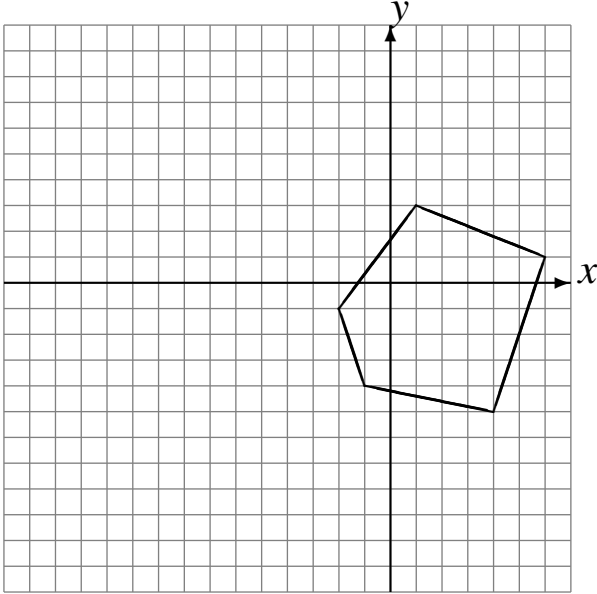


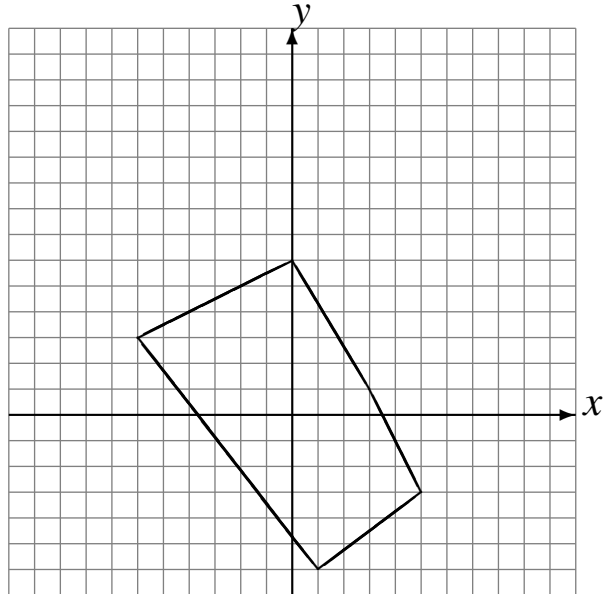
# Reflections (A)

Draw the reflected image.

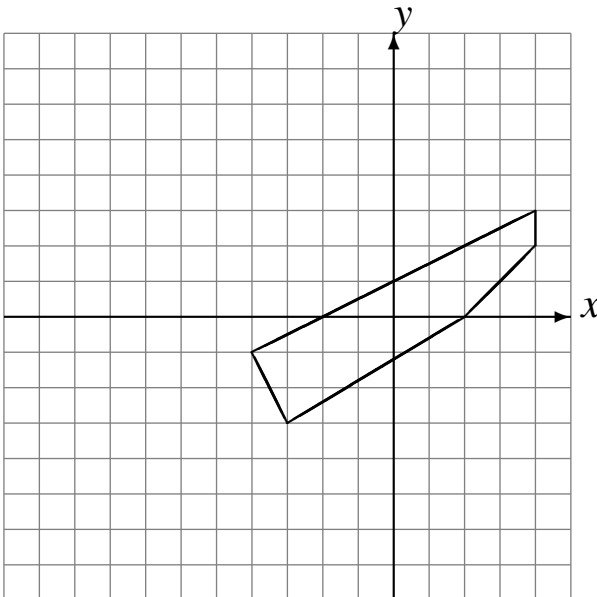
Reflect over  $x = -4$ .



Reflect over  $y = 4$ .



Reflect over  $x = -3$ .



Reflect over  $y = 3$ .

