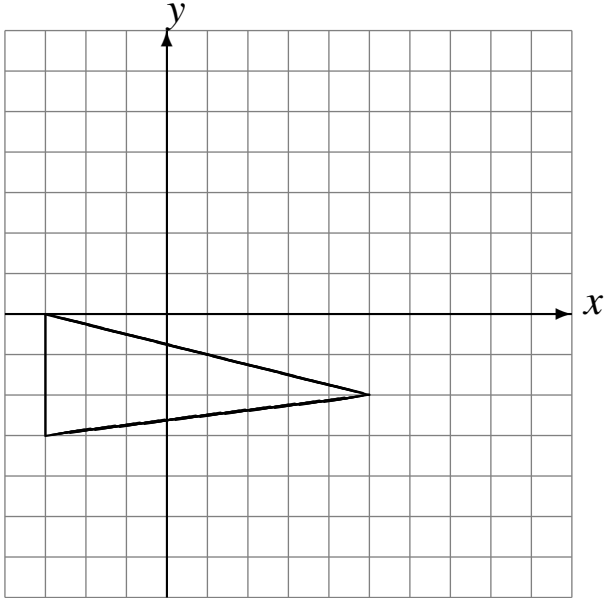


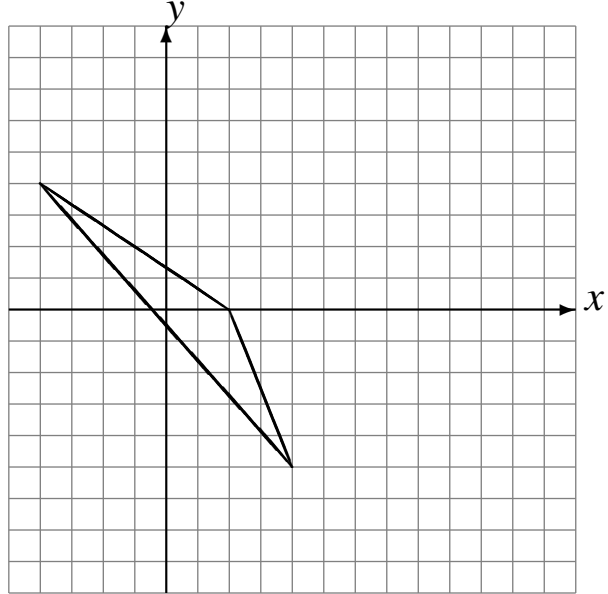
Reflections (C)

Draw the intermediate and reflected images.

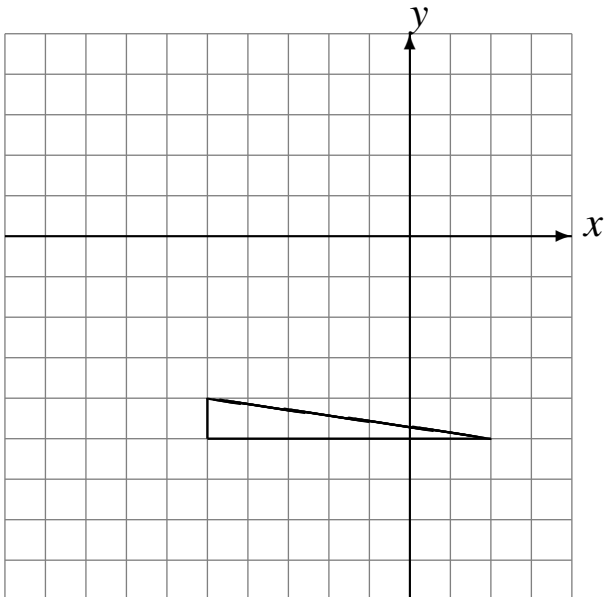
Reflect over $x = 3$.
Reflect over $y = 0$.



Reflect over $x = 4$.
Reflect over $y = 0$.



Reflect over $x = -1$.
Reflect over $x = -3$.



Reflect over $x = -1$.
Reflect over $y = 2$.

