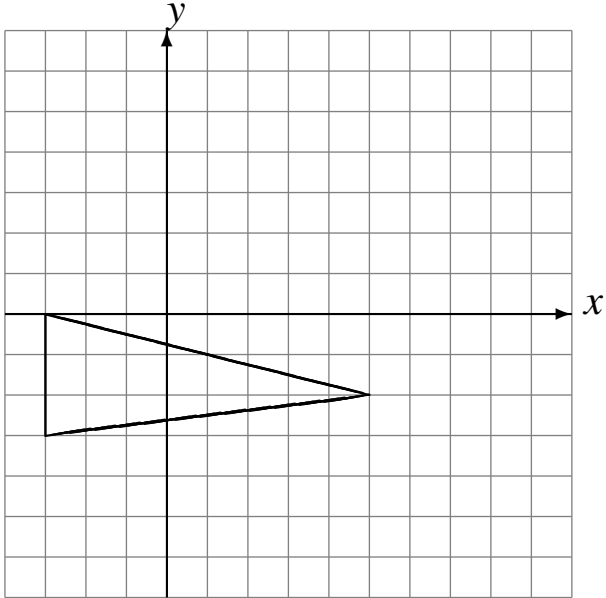


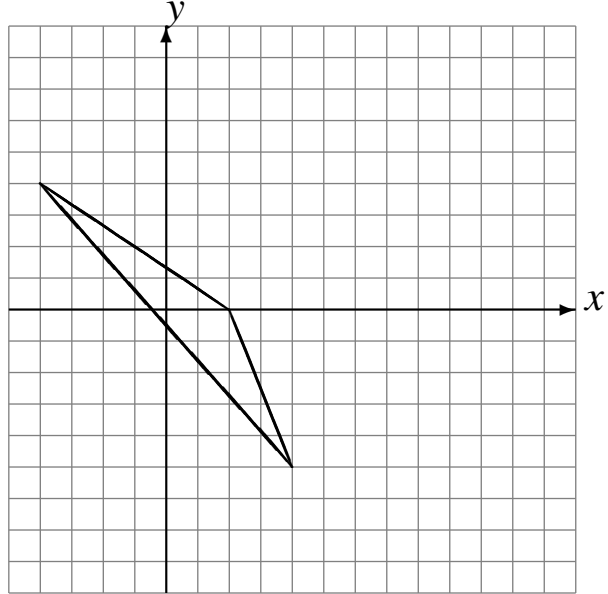
# Reflections (C)

Draw the intermediate and reflected images.

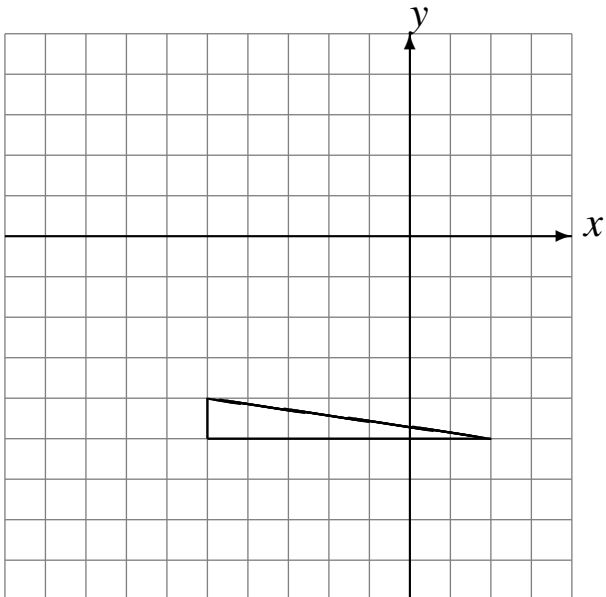
Reflect over  $x = 3$ .  
Reflect over  $y = 0$ .



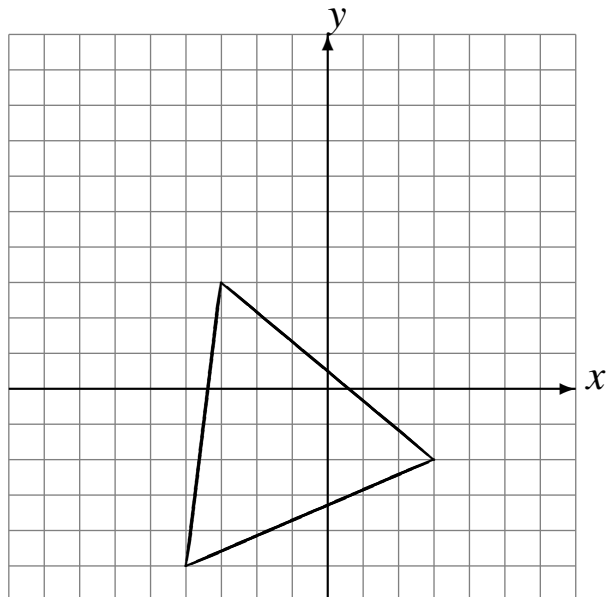
Reflect over  $x = 4$ .  
Reflect over  $y = 0$ .



Reflect over  $x = -1$ .  
Reflect over  $x = -3$ .



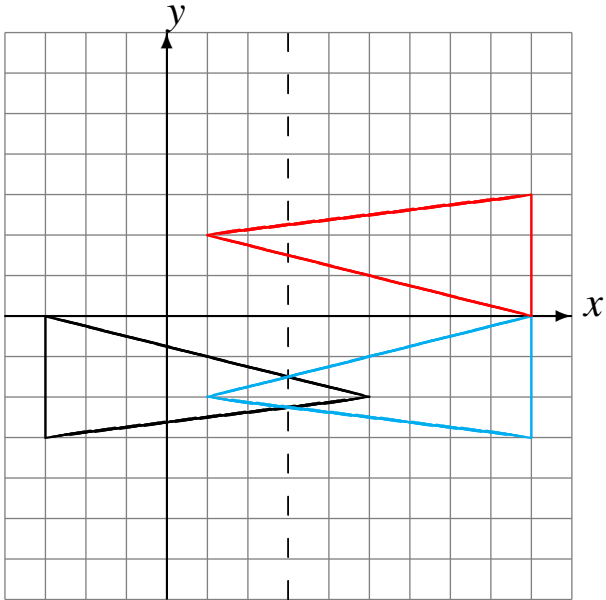
Reflect over  $x = -1$ .  
Reflect over  $y = 2$ .



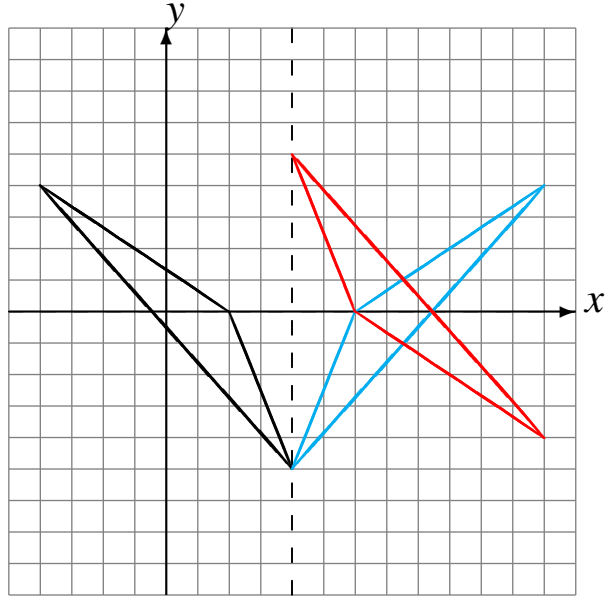
# Reflections (C) Answers

Draw the intermediate and reflected images.

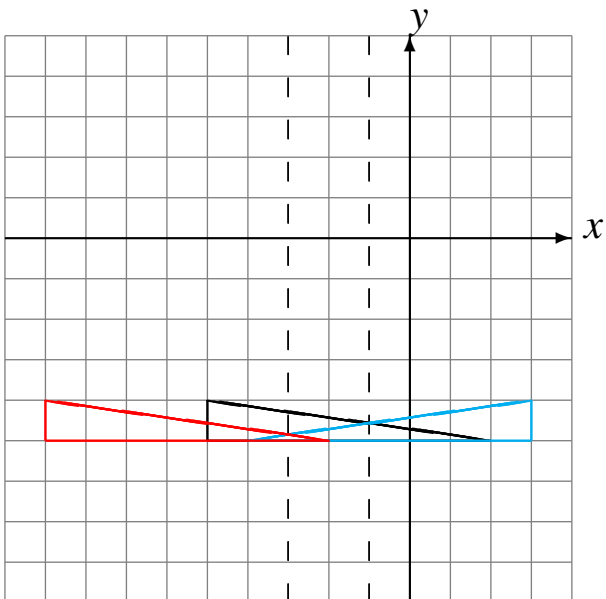
Reflect over  $x = 3$ .  
Reflect over  $y = 0$ .



Reflect over  $x = 4$ .  
Reflect over  $y = 0$ .



Reflect over  $x = -1$ .  
Reflect over  $x = -3$ .



Reflect over  $x = -1$ .  
Reflect over  $y = 2$ .

