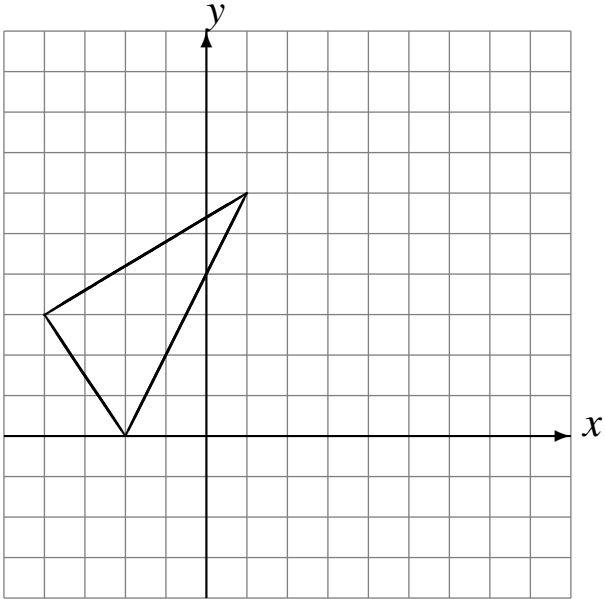


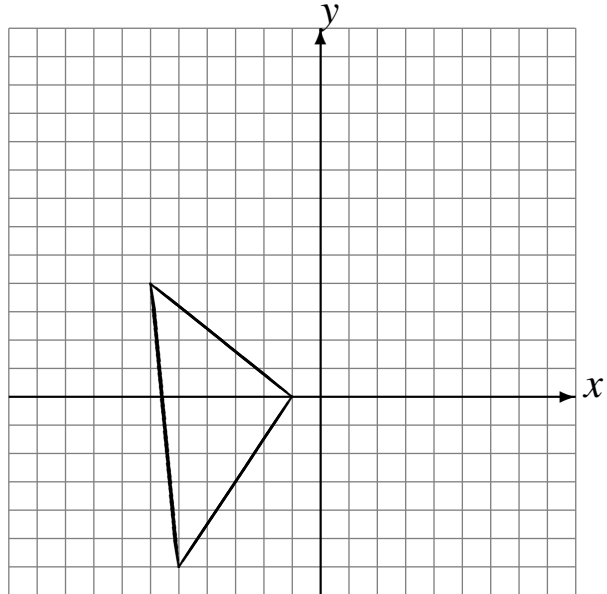
## Reflections (B)

Draw the intermediate and reflected images.

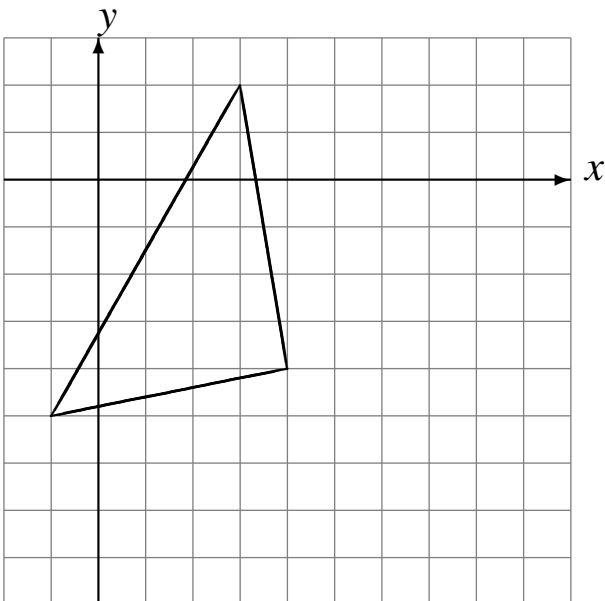
Reflect over  $x = 2$ .  
Reflect over  $x = 4$ .



Reflect over  $x = -1$ .  
Reflect over  $y = 3$ .



Reflect over  $y = -3$ .  
Reflect over  $x = 4$ .



Reflect over  $x = 1$ .  
Reflect over  $y = -1$ .

