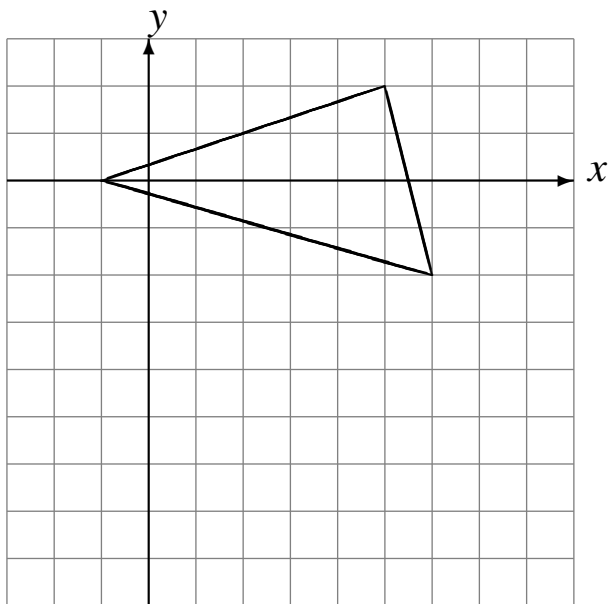


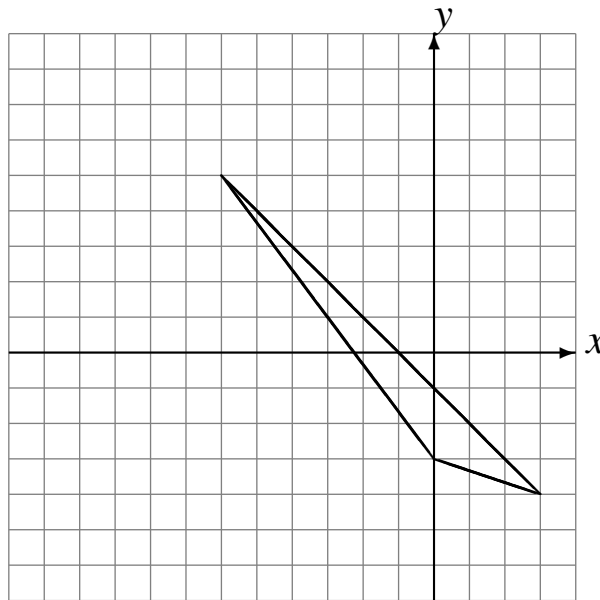
# Reflections (A)

Draw the reflected image.

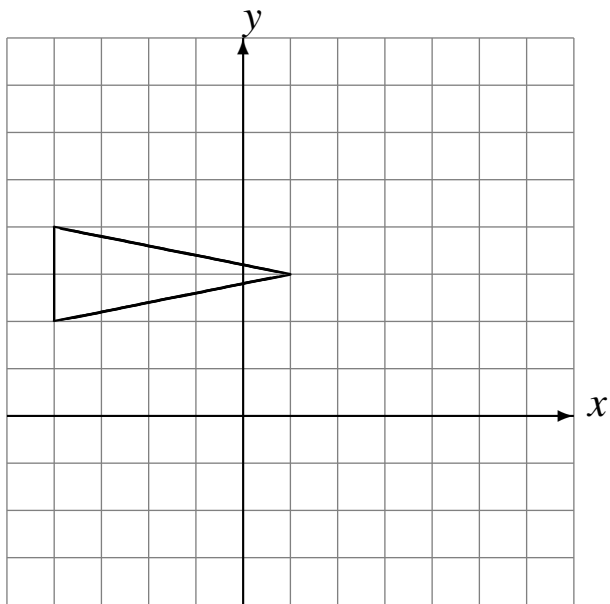
Reflect over  $y = -3$ .



Reflect over  $x = -4$ .



Reflect over  $x = 1$ .



Reflect over  $y = -3$ .

