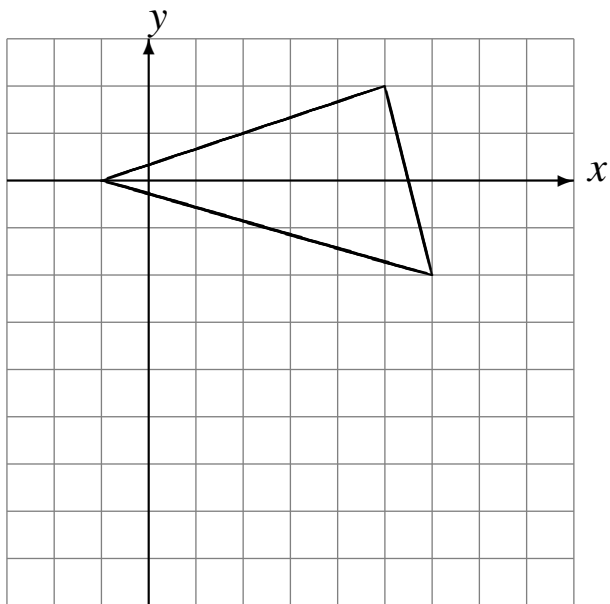


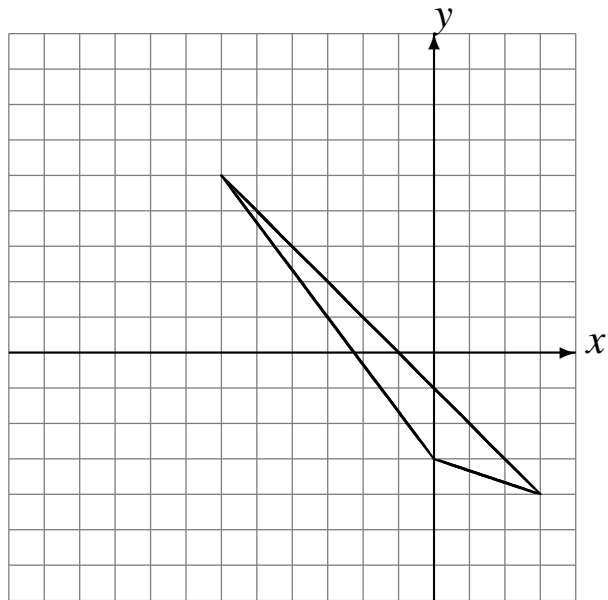
Reflections (A)

Draw the reflected image.

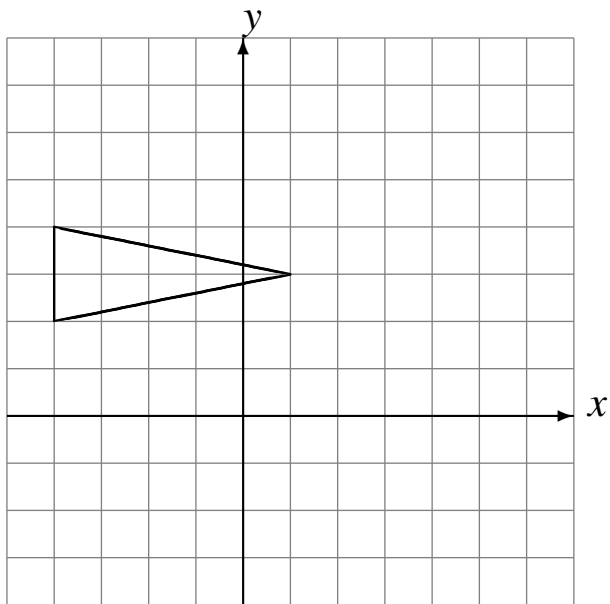
Reflect over $y = -3$.



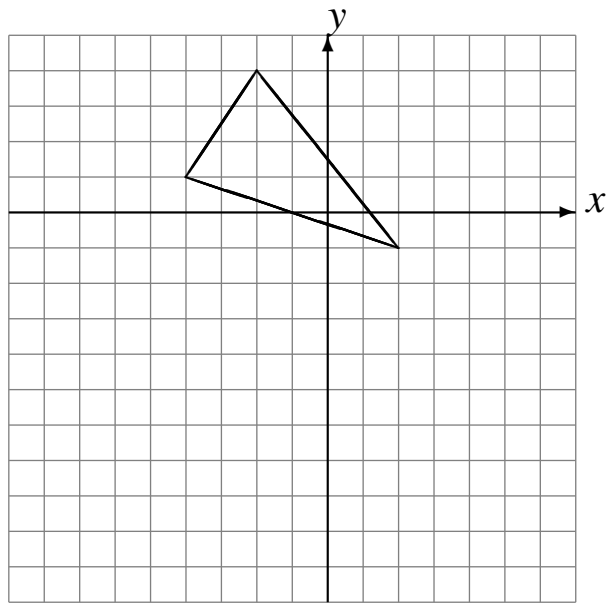
Reflect over $x = -4$.



Reflect over $x = 1$.



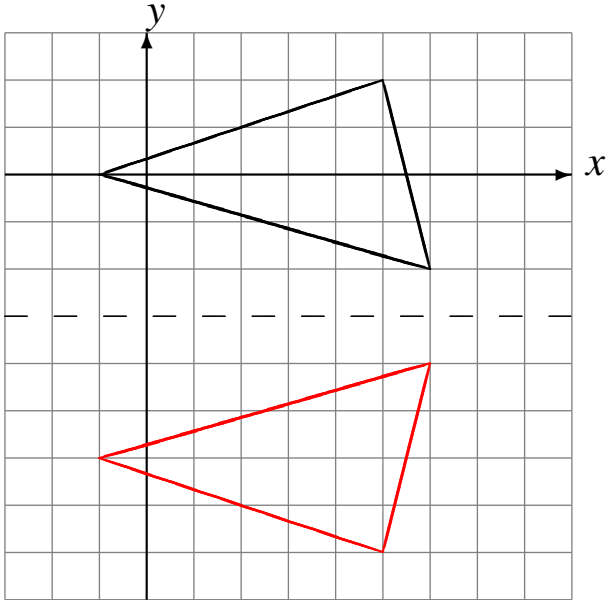
Reflect over $y = -3$.



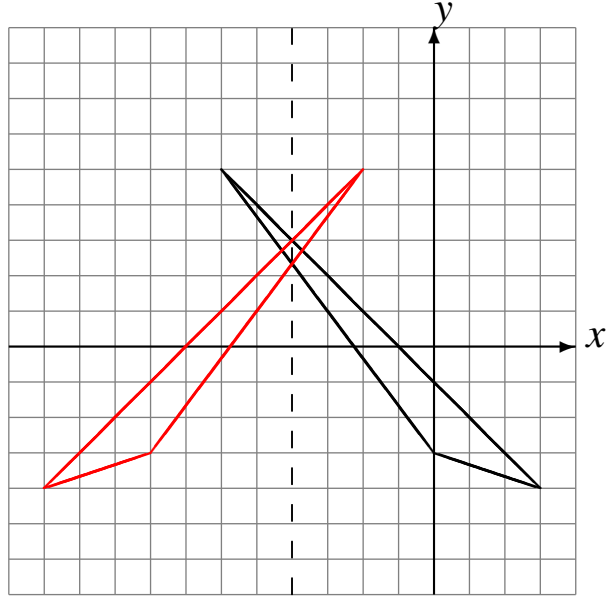
Reflections (A) Answers

Draw the reflected image.

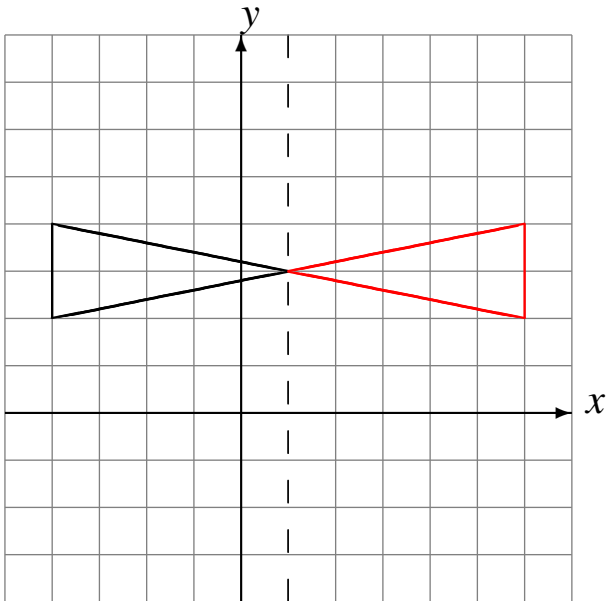
Reflect over $y = -3$.



Reflect over $x = -4$.



Reflect over $x = 1$.



Reflect over $y = -3$.

