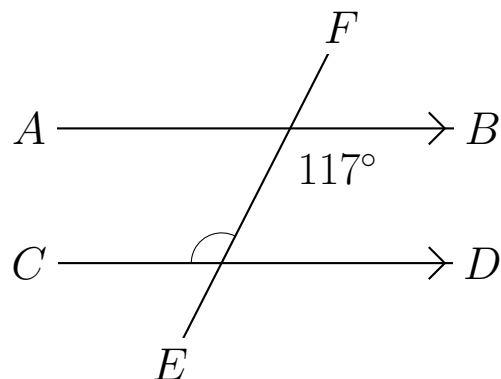
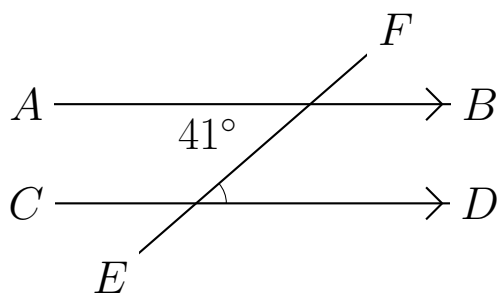
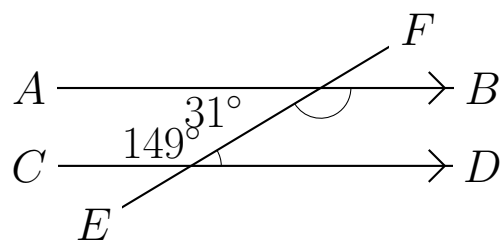
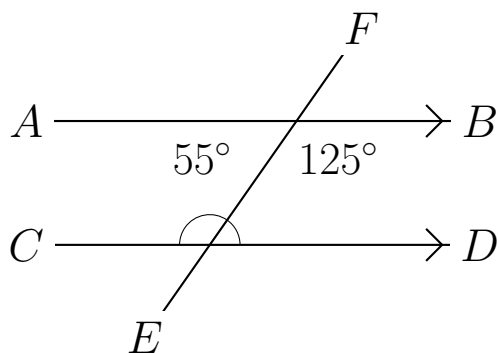
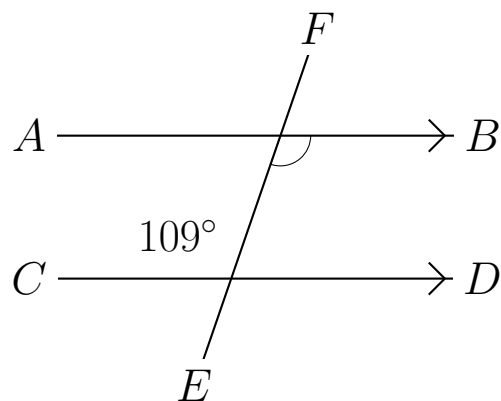
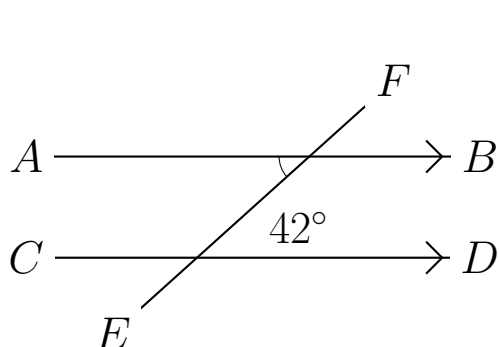


Interior Alternate Angles (F)

Find the alternate angle measurements for the measured angles.



Interior Alternate Angles (F) Answers

Find the alternate angle measurements for the measured angles.

