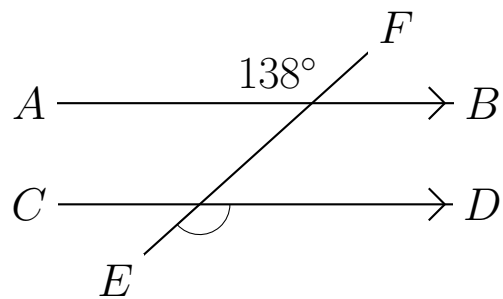
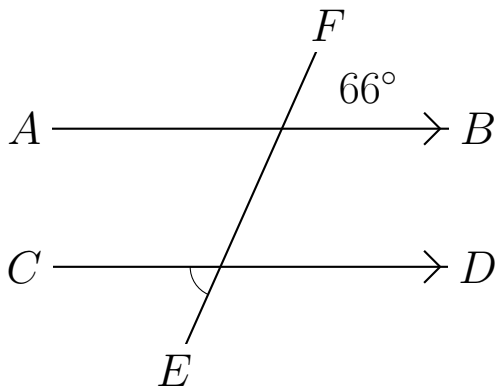
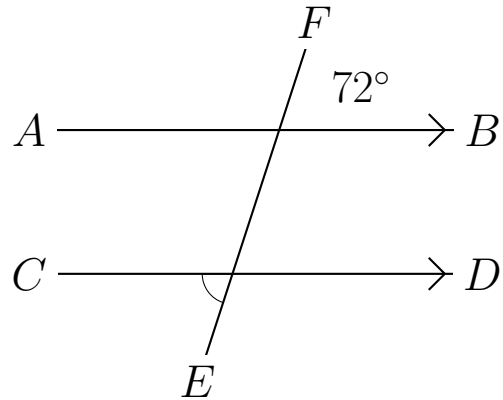
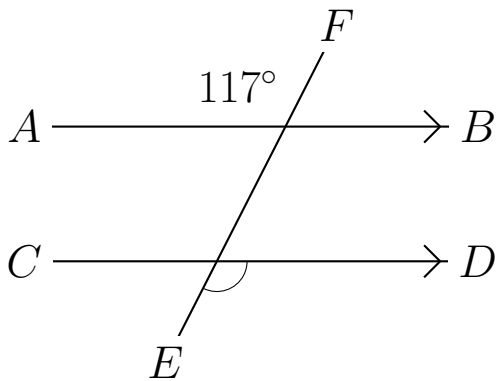
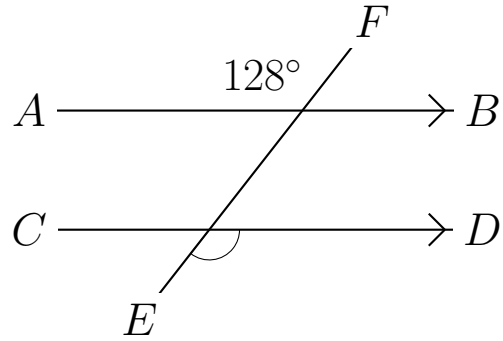
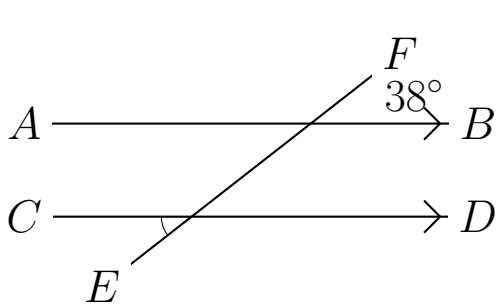


Exterior Alternate Angles (B)

Find the alternate angle measurements for the measured angles.



Exterior Alternate Angles (B) Answers

Find the alternate angle measurements for the measured angles.

