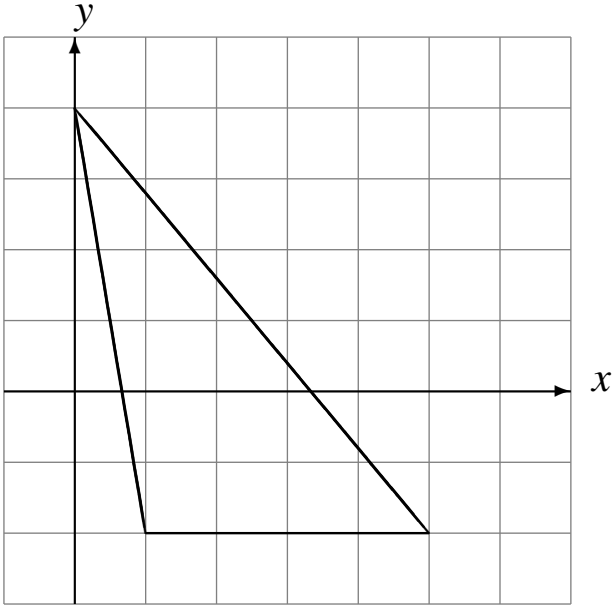


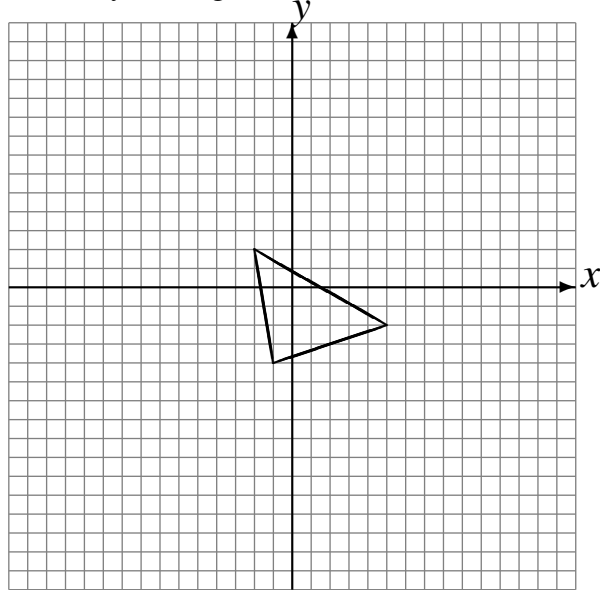
Dilations (I)

Draw the dilated image.

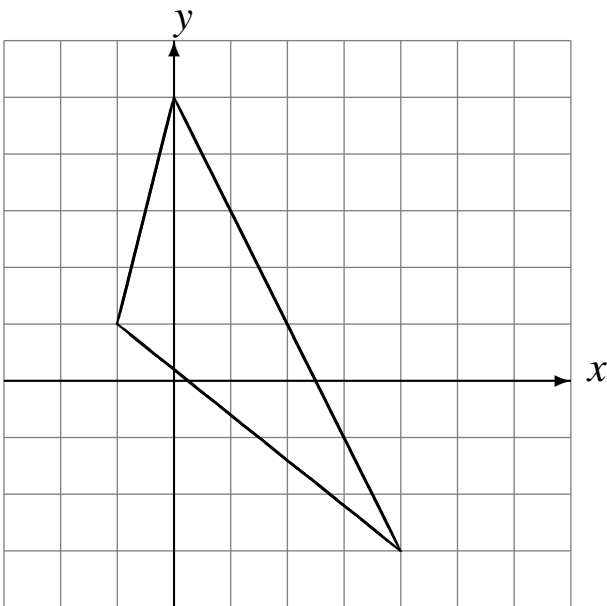
Dilate by $\frac{1}{4}$ using center (2, 3).



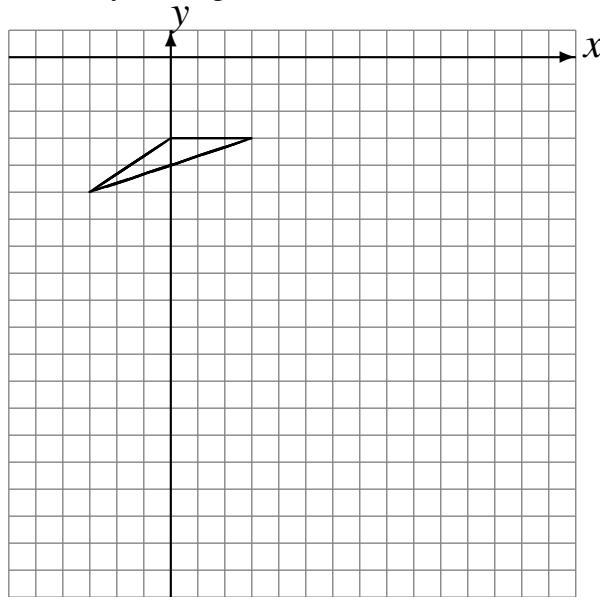
Dilate by 4 using center (2, -1).



Dilate by $\frac{1}{3}$ using center (3, -1).



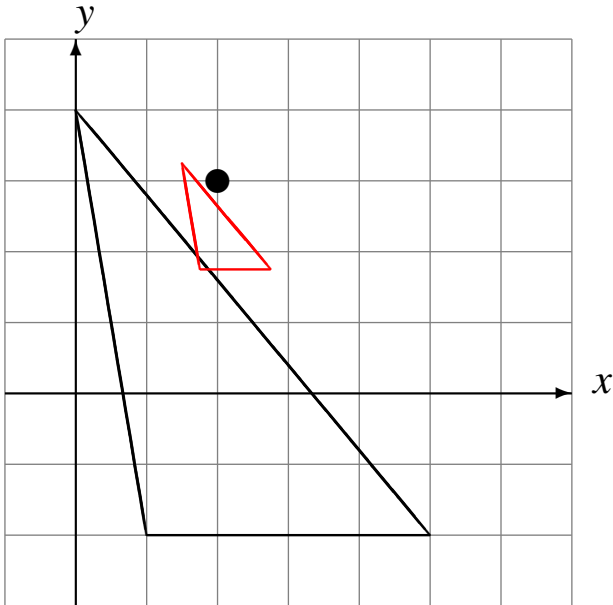
Dilate by 3 using center (-2, 2).



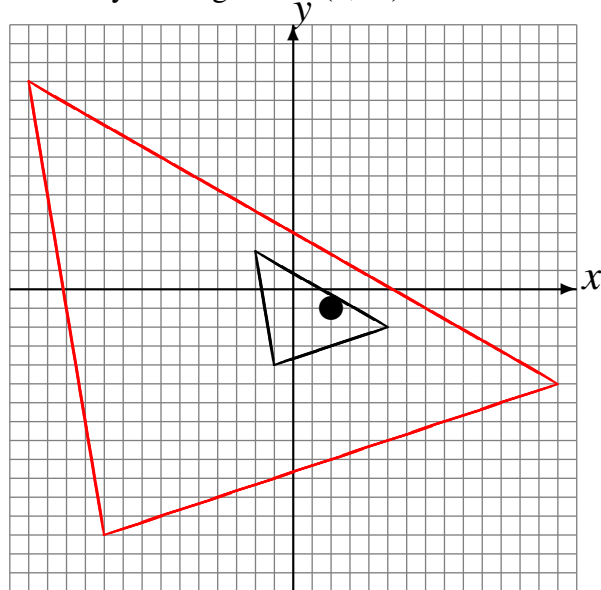
Dilations (I) Answers

Draw the dilated image.

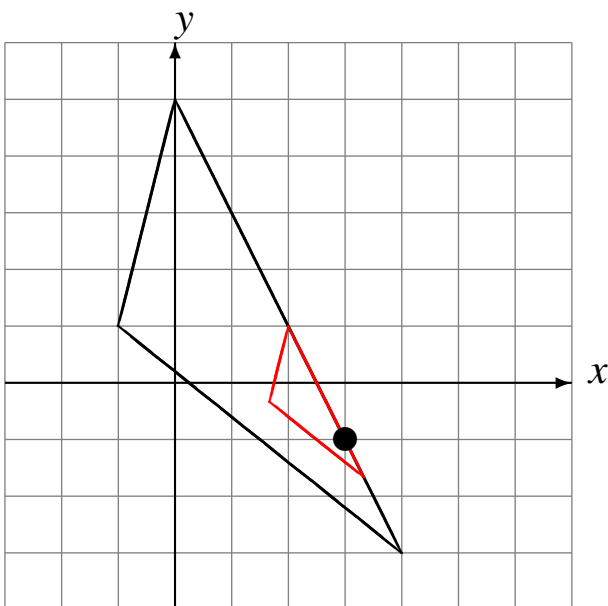
Dilate by $\frac{1}{4}$ using center (2, 3).



Dilate by 4 using center (2, -1).



Dilate by $\frac{1}{3}$ using center (3, -1).



Dilate by 3 using center (-2, 2).

