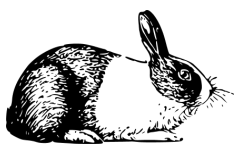


# EASTER ADDITION (F)

Follow the Easter Bunny to his basket. Calculate each answer on the way.



8  
+ 4  
□

4  
+ 2  
□

5  
+ 3  
□

7  
+ 3  
□

7  
+ 7  
□

3  
+ 5  
□

1  
+ 5  
□

8  
+ 3  
□

6  
+ 8  
□

2  
+ 4  
□

8  
+ 1  
□

9  
+ 3  
□

7  
+ 5  
□

5  
+ 1  
□

5  
+ 3  
□

7  
+ 7  
□

7  
+ 2  
□

8  
+ 6  
□

8  
+ 1  
□

8  
+ 1  
□


5  
+ 9  
□

3  
+ 9  
□

8  
+ 4  
□

1  
+ 7  
□

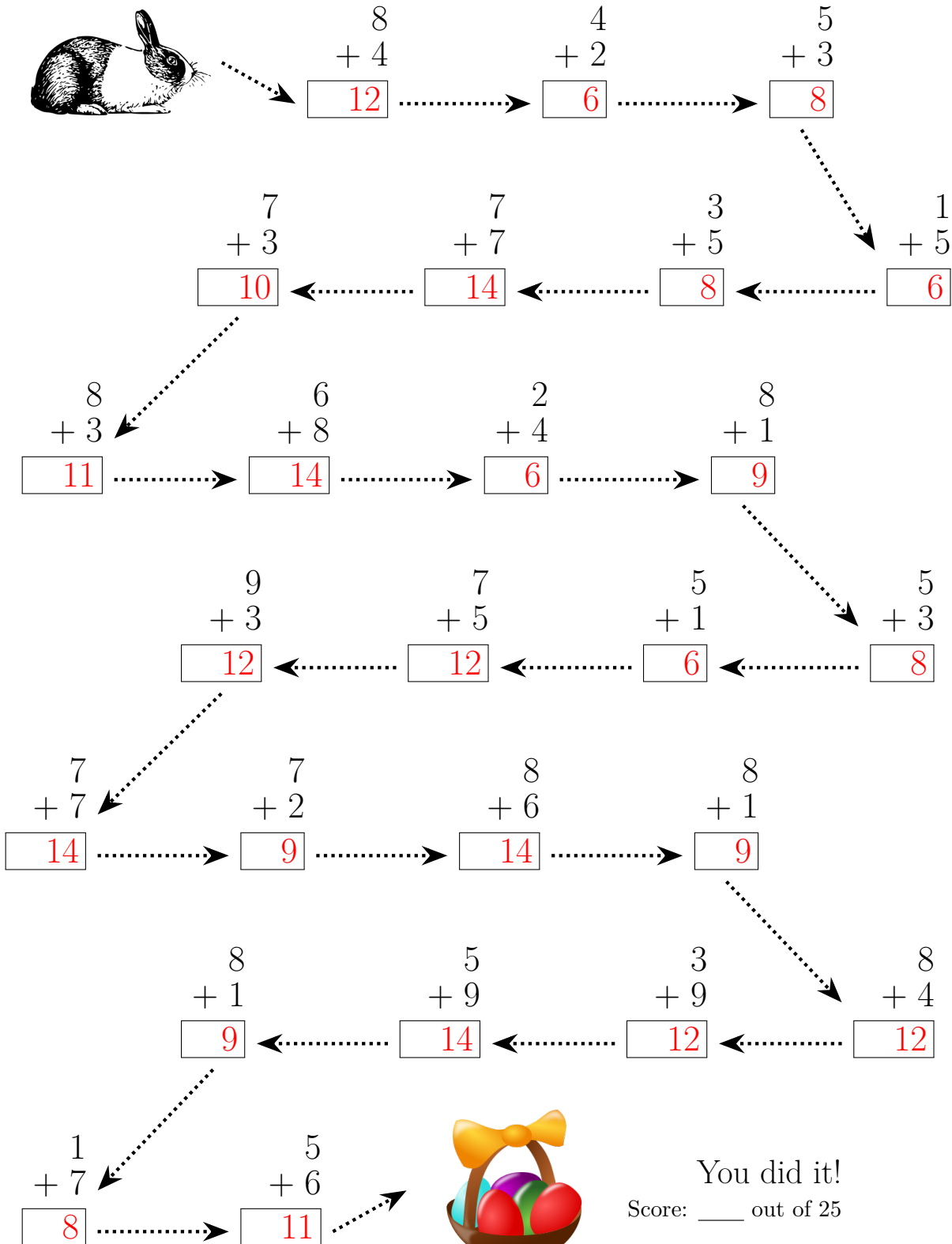
5  
+ 6  
□



You did it!  
Score: \_\_\_ out of 25

# EASTER ADDITION (F) ANSWERS

Follow the Easter Bunny to his basket. Calculate each answer on the way.



You did it!

Score: \_\_\_ out of 25